

VICTORIAN BAKING OVENS LIMITED

Unit 40 Central Trading Estate, Cable Street, Wolverhampton WV2 2RL

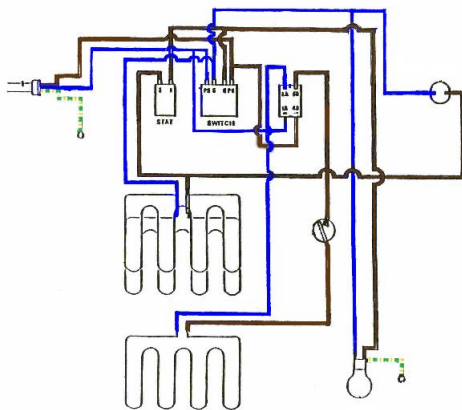
Tel: 01902 351477 & 351451 Fax: 01902 351437

Web: www.victorianovens.co.uk EM: sales@victorianovens.co.uk



VAT No. GB 369 8585 77

Established 1982



**3in1 POTATO STATION
WIRING DIAGRAM**

**PS/BLK+SS or PS/SS+SS
3 in 1 POTATO STATION
POTATO BAKING OVEN,
AVAILABLE IN STAINLESS
STEEL OR BLACK WITH
GLASS SNEEZE SCREEN**

SPECIFICATION

WIDTH: 410mm

DEPTH: 450mm

HEIGHT: 380mm (OVEN)

**HEIGHT: 720mm (WITH
SNEEZE SCREEN)**

WEIGHT: 27kg

CAPACITY

15 x 250-300gram

POTATOES PER BATCH

HOLDS 15 COOKED

**POTATOES IN WARMING
CABINET**

EACH BAIN MARIE POT

HOLDS 1.5LITRE

POWER

1.515Kw

220-230v

13amp socket