

SANTOS SAS :

140-150 AVENUE ROGER SALENGRO
69120 VAULX-EN-VELIN (LYON) - FRANCE
PHONE 33 (0) 472 37 35 29 -
FAX 33 (0) 478 26 58 21
E-Mail :santos@santos.fr www.santos.fr



BAR MIXER N°33 – N°33E

USER AND MAINTENANCE MANUAL



IMPORTANT: documents included in this manual to be kept:

- "CE" COMPLIANCE DECLARATION
- WARRANTY CERTIFICATE

Translation of the original version



Coffee grinders - Fruit juicers - Mixers - Blenders - Drinks dispensers - Planetary mixers
Cheese graters - Ice crushers - Miners - Vegetable slicers – Dough mixer
Moulins à café - Presse-fruits - Mixers - Blenders - Distributeurs de boissons - Batteurs
mélangeurs - Pétrin - Râpes à fromage - Broyeurs à glaçons - Hache-viande - Coupe-légumes

MODELES DEPOSES FRANCE ET INTERNATIONAL
INTERNATIONALLY PATENTED MODELS



CONTENTS

“CE” COMPLIANCE DECLARATION	3
IMPORTANT SAFEGUARDS	4
DO NOT:	4
INSTALLATION AND HANDLING	5
ELECTRICAL CONNECTION:	5
USING FOR THE 1 st TIME	6
RECYCLING THE PRODUCT AT THE END OF ITS SERVICE LIFE	7
YOUR BAR MIXER N°33	8
Using the MIXER	8
START-UP:	8
CLEANING:	9
STORAGE:	9
MAINTENANCE	10
Spare parts:	10
Changing the coupling system:	10
Assembling the drive part (motor) (Fig. F):	11
Dismantling the receiver part (knives):	12
TROUBLESHOOTING	13
The appliance does not start:	13
The appliance stops following an overload:	14
The motor runs but the knives do not rotate:	14
TECHNICAL SPECIFICATIONS	15
Wiring diagram 110-120V 50/60Hz N°33E	16
Wiring diagram 110-120V 50/60Hz N°33	16
Wiring diagram 220-240V 50/60Hz N°33	17
Wiring diagram 220-240V 50/60Hz N°33E	17
WARRANTY CERTIFICATE	19
APPLIANCE IDENTIFICATION PLATE	19



“CE/UE” COMPLIANCE DECLARATION

THE MANUFACTURER:

SANTOS sas - 140-150, Av. Roger SALENGRO 69120 VAULX-EN-VELIN (LYON)
FRANCE

declares that the appliance intended for the professional market described below:

Description: **BAR BLENDER**
Type number: **33, 33C, 33E, 33CE**

complies with:

- the statutory provisions defined in appendix 1 of the European "machines" directive **n°2006/42/CE** and the national legislation transposing it
- the statutory provisions of the following European directives and regulations:
 - N° 2014/35/UE (low voltage directive)
 - N° 2014/30/UE (EMC directive)
 - N° 2011/65/UE (RoHS directive)
 - N° 2012/19/UE (WEEE directive)
 - N° 1935/2004/CE (regulation) relating to materials and articles intended to come into contact with foodstuffs
 - N° 10/2011/CE (regulation) plastic materials and articles intended to come into contact with food

Harmonised European standards used to give presumption of conformity with the essential requirements of the above-mentioned directives:

- **NF EN 12852+A1: 2010, Food processing machinery – Food preparation equipment and blenders - Safety and hygiene requirements.**
This European standard is a type-C standard as defined in EN ISO 12100. When the provisions of this type-C standard differ from those stated in the type-A or B standards, the provisions of the type-C standard override the provisions of the other standards. This standard provides the means to comply with the requirements of the "machines" directive n°2006/42/CE, (see appendix ZA)
- NF EN ISO 12100: 2010, Safety of machinery - General principles for design
- NF EN 60204-1+A1: 2009, Safety of machinery - Electrical equipment of machines-General requirements
- NF EN 1672-2+A1: 2009, Food processing machinery – Basic concepts – Hygiene requirements
- NF EN 60335-1: 2013, Household and similar electrical appliances. Safety.
- NF EN 60335-2-64: 2004, Particular requirements for commercial electric kitchen machines

Drawn up in VAULX-EN-VELIN on: **01/03/2019**

Signatory's position: **CHIEF EXECUTIVE OFFICER**

Signatory's name: **Aurélien FOUQUET**

Signature:

IMPORTANT SAFEGUARDS

When using, cleaning or maintaining the machine, always follow these instructions:

**Read all instructions,
Keep this user manual**

Note: You will find it easier to understand the next few paragraphs if you refer to the diagrams at the end of this manual.

DO NOT:



1. Never operate the appliance when it is empty.
2. Do not use this appliance to crush big ice cubes or frozen foods. The knives are not meant for this.
3. Do not insert dry ingredients into the mixer before switching it on.
4. Do not remove the lid before the appliance has stopped completely.
5. Never remove the bowl assembly (1) from the motor unit before the motor has stopped COMPLETELY.
6. Never fit the bowl assembly (1) onto the motor unit (2) when it is in operation.
7. Cleaning in a jet of water or a high pressure spray is prohibited.
8. The base must not be immersed in water.
9. Never use the appliance if the power cord is damaged. It must be replaced by either a SANTOS approved dealer or a person with similar qualifications to avoid any danger.
10. The appliance must be unplugged before any intervention on it: cleaning, general care, maintenance.
11. It is forbidden to operate the appliance on a surface with a slope in excess of 10° with respect to the horizontal plane. The feet of the machine must always be resting on this surface. The machine motor centre line must always be vertical with respect to the surface on which it is placed.
12. The use of spare parts other than certified original SANTOS parts is prohibited
13. Never connect several appliances to the same power socket.
14. Never use the machine outdoors.
15. Never place the appliance close to or on a source of heat.
16. This appliance is a professional machine designed exclusively for professional use. It is not designed for household use.
17. This appliance is not designed for use by people (including children) whose physical, sensorial or mental capacities are impaired or by people with no experience or knowledge, unless they have been supervised or given training in the use of the appliance beforehand by a person responsible for their safety.
Supervise children to ensure they do not play with the appliance.

INSTALLATION AND HANDLING

The machine can be handled by a single person. It is recommended that the appliance be placed on a table or worktop for more comfortable use with the controls facing you (recommended height: 90 cm, to be adapted as required for the user).

ELECTRICAL CONNECTION:

- The appliance's power supply is available in two single phase voltages:
 - 110-120 V, 50/60 Hz
 - 220-240 V, 50/60 Hz

Line protection: the appliance must be connected to a standard 2 pole + earth socket. The set-up must be fitted with a differential circuit breaker and a 16A fuse. **The appliance must be earthed.**

TAKE CARE:



- Before connecting the machine, check that the mains electrical voltage is the same as the voltage for your appliance. Its value is shown:
 - either on the identification plate under the machine.
 - or on the identification plate on the last page of this manual.
- If the power cable is damaged, it should be replaced by a SANTOS approved dealer, SANTOS or a person with similar qualifications to avoid any danger.

TAKE CARE: Check that the On / Off switch (9) is in the **0 position** before connecting the power cable plug to your mains electric power socket.

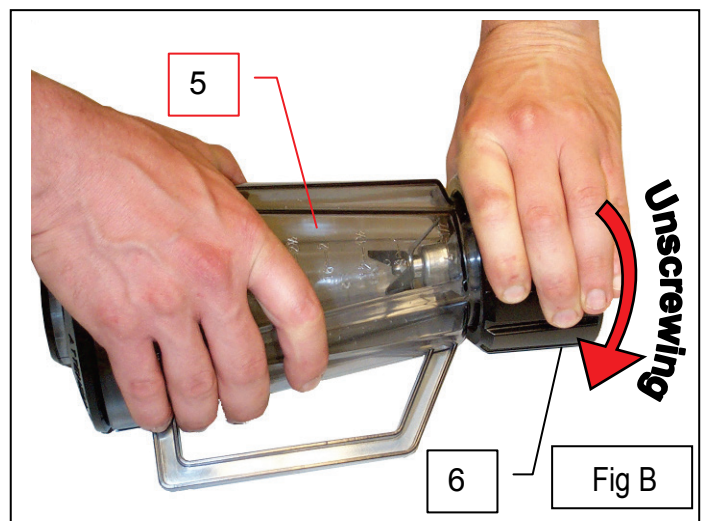


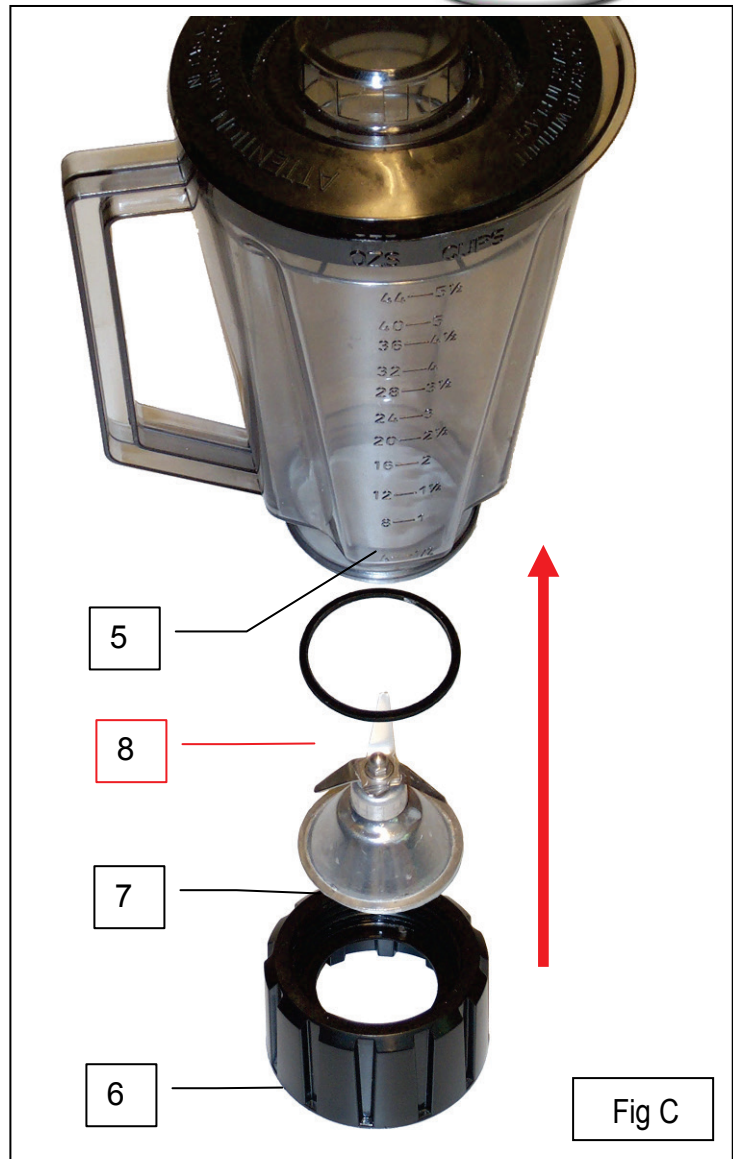
USING FOR THE 1st TIME

Thoroughly clean all parts in contact with the food (Fig. A).



- Remove the bowl (1) from the motor unit (2).
- Take off the lid (3) and the cap (4) and wash them with a standard dish washing product.
- Unscrew the bowl (5) from the nut (6) turning it counter-clockwise (right-hand thread) (Fig. B).
- **Being careful** not to injure yourself with the **sharp knives**, remove the knife hub (7) and the bowl seal (8) (Fig. C).
- Wash with a standard dish washing product or in the dish-washer: the lid (3), the cap (4), the knife hub (7), the bowl seal (8) and the bowl (5).





RECYCLING THE PRODUCT AT THE END OF ITS SERVICE LIFE



This appliance has the recycling symbol marking relating to waste electrical and electronic equipment. This means that this product must be processed by a waste sorting system in accordance with Directive 2012/19/EU (WEEE) – Professional Equipment section – so that it can be either recycled or disassembled in order to reduce any impact on the environment.

For further information, please contact your dealer or SANTOS.

For the disposal or recycling of the appliance components, please refer to a specialist company or contact SANTOS.

Electronic products which have not been out-sorted are potentially dangerous for the environment.

The packaging material should be disposed of or recycled in accordance with regulations in force.

YOUR BAR MIXER N°33

- The bar mixer N° 33 is designed especially for bars, cafés, hotels, restaurants, cocktail bars, canteens, stores selling fruit juices, cake stores, ice cream parlors....
- The appliance comprises a cast aluminum motor unit and a removable mixing bowl. This is made up of a transparent plastic graduated bowl, a plastic lid, a measuring cap, a set of stainless steel knives and a coupling system.
- The mixer N° 33 is designed to mix different foodstuffs in the form of liquids, doughs or solids.
- It is ideal for making:
 - drinks (fruit, vegetable cocktails, punches, syrups, sangria...)
 - small quantities of soup, sauces, soufflés, puréed vegetables, meat and fish pâtés, creams, stewed fruit.
 - Ice creams, milk shakes

Using the MIXER

START-UP:



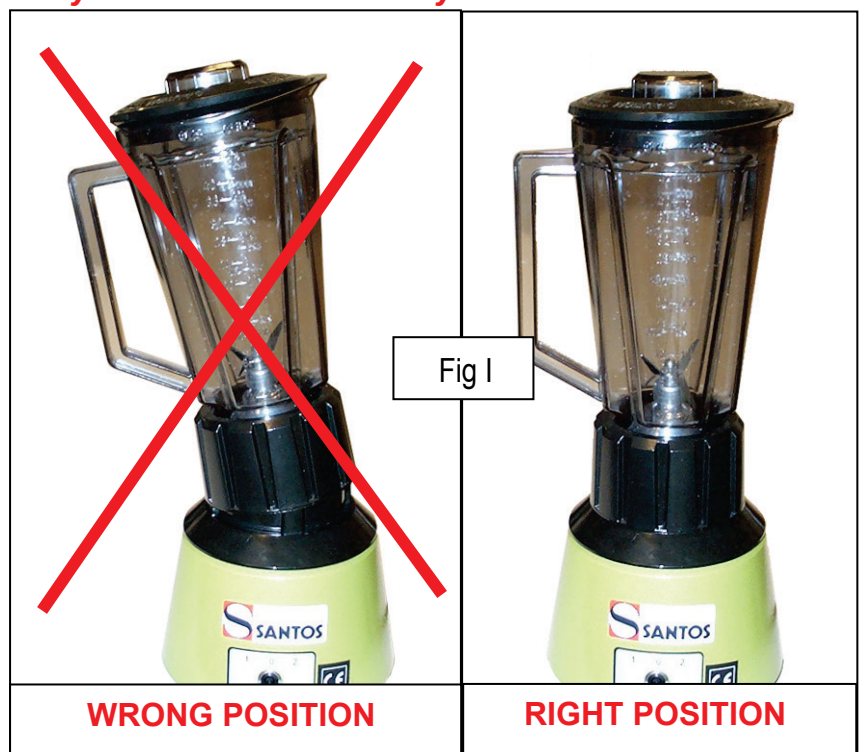
ATTENTION : a mixer must **always** be used with a minimum of liquid in the bowl.

Assembly and preparation:

1. Place the knife hub (7) into the bowl nut (6).
2. Fit the bowl seal (8) onto the knife hub (7), making sure that the seal is seated properly on the knife hub.

ATTENTION: It is important to duly adhere to the assembly order of the elements to prevent serious malfunctioning of the appliance (adhere to: (6) (7) (8) (5)) (fig C).

3. Screw and tighten the bowl (5) onto the bowl nut (6) until it is sealed by compressing the bowl's seal.
4. Fit the bowl assembly (1) onto the motor unit (2) with the motor stopped (switch (9) in position 0) checking the bowl assembly is seated as per the diagram opposite
5. Fit the lid (3) with its cap (4) onto the bowl (5).
6. Check that the on / off switch (9) is in position 0 before



plugging in the power cable (10) to the mains power socket.

7. **Add a minimum of liquid or purée (until the knives are completely covered) before adding the solid ingredients to be mixed.** For best results, dice up the solid ingredients and insert them through the hole in the lid when the knives are rotating.
8. Select the knife rotation speed depending on the work desired:
 - switch to **position 1** for low speed (12,000 rpm)
 - switch to **position 2** for high speed (16,000 rpm).
9. **Switch off the appliance** by setting the on / off switch to **position 0**.



ATTENTION: It is important not to remove the bowl assembly (1) or to fit it before the motor is stopped COMPLETELY to prevent premature wearing of the coupling system.

CLEANING:

IMPORTANT:



- **In all cases, stop the appliance and unplug the power cable (10).**
- To avoid injuring yourself when cleaning, handle the knife hub and the knives carefully.
- **The appliance should neither be cleaned in a jet of water nor with a high pressure spray**
- The motor unit (2) must not be immersed in water.

You are advised to clean the appliance as soon as it has finished being used.

It will be easier to clean if you do not allow the remaining scraps of food to dry in the bowl, lid or on the knives.

Although the bowl assembly (1) can be washed in a dish-washer without being dismantled, for optimum hygiene, you are advised to dismantle the bowl assembly (1) and wash all the components separately: bowl nut (6), bowl seal (8), knife hub (7), bowl (5), lid (3) and cap (4).

The base and outside of the motor unit should be cleaned with a soft, damp sponge, then dried.

STORAGE:

- To prevent cuts, you are advised to replace the knife hub (7) back into the bowl (5) and the bowl nut (6)
- Do not fit the lid of the bowl airtight when the appliance is stored away.

This machine requires no particular maintenance because the bearings are lubricated for life.

If any intervention is necessary to replace parts subject to wear, such as the knives, the electrical or other components, please refer to the parts lists (see the exploded view at the end of this manual).

MAINTENANCE



Prior to carrying out any intervention on the appliance, it must be disconnected from the mains without fail (10).

Spare parts:

This machine requires no particular maintenance because the bearings are lubricated for life.

If any intervention is necessary to replace parts subject to wear, such as the knives, the electrical or other components, please refer to the parts lists (see the exploded view at the end of this manual)..

For all spare part orders state:

- the type,
- the machine serial number and
- the electrical specifications

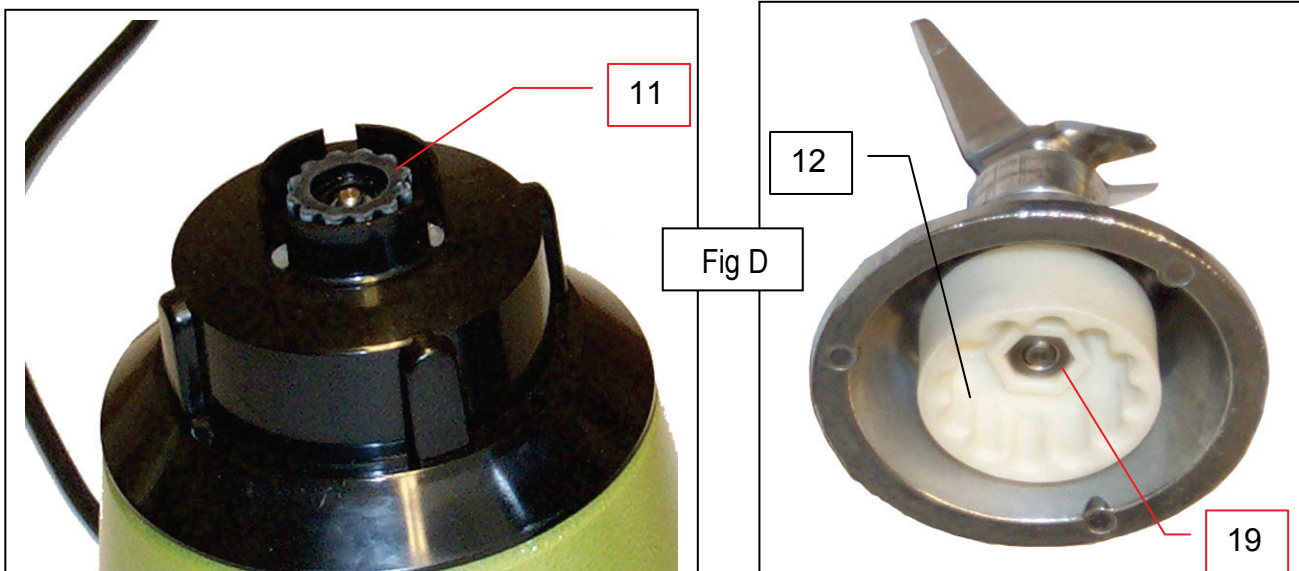
recorded under the machine.

Changing the coupling system:



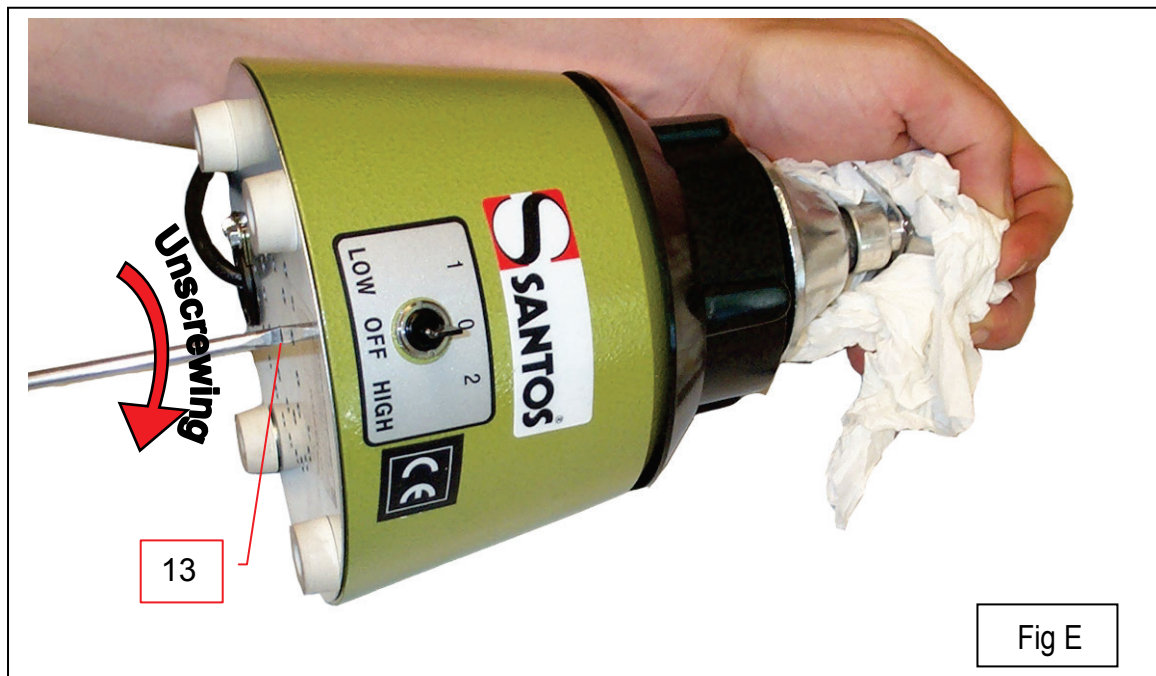
IMPORTANT: (Fig. D).

- The drive part (motor) (11) is made of flexible rubber.
- The receiver part (knives) (12) is made of hard plastic.

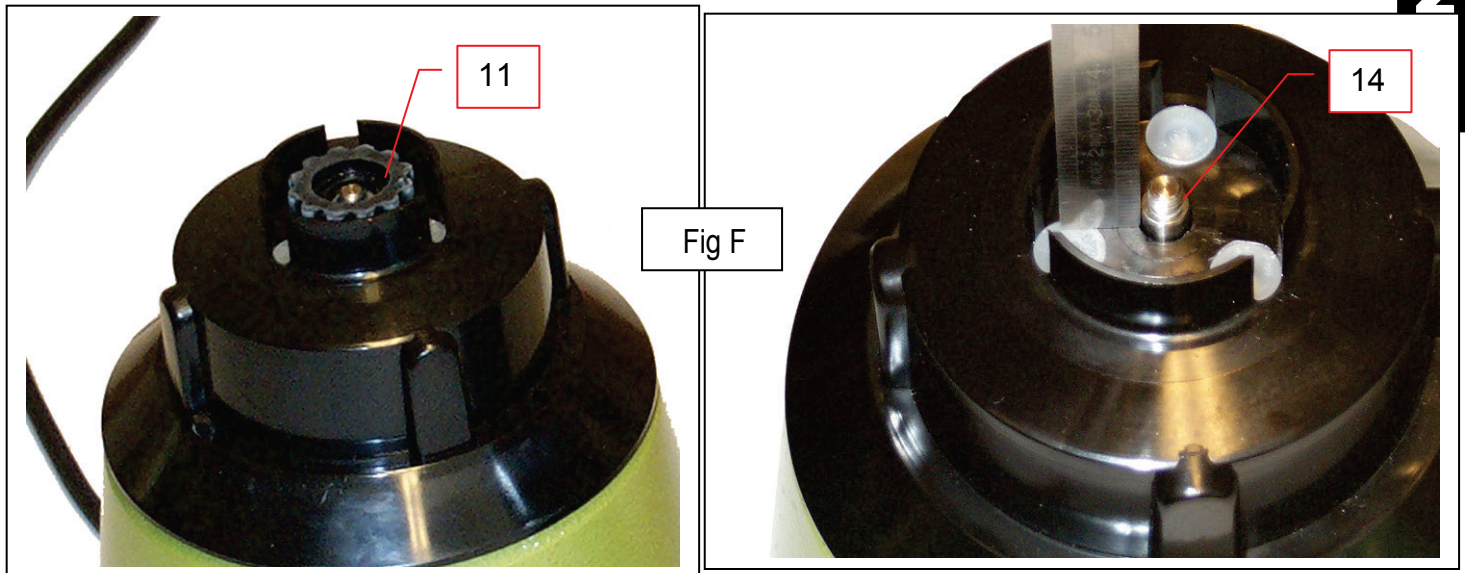


Dismantling the drive part (motor): (Fig. E)

1. Lay the motor unit down on its side.
2. Stop the rotation of the rubber drive part. You can use the knife hub (7) fitted with the rigid coupling (12). Use a thick cloth to hold the knives to prevent you from getting cut.
3. Via the central hole of the base plate, put a flat-ended screwdriver into the groove of the motor shaft (13).
4. Turn the screwdriver clockwise to unscrew the motor coupling (left-hand thread).

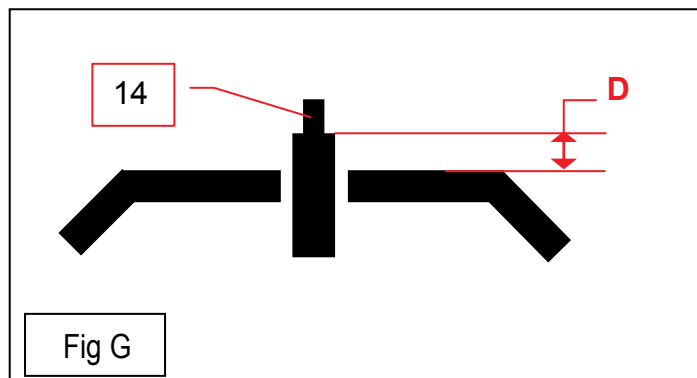
**Assembling the drive part (motor) (Fig. F):**

1. Fit the motor unit (2) onto its legs.
2. By hand, screw the flexible coupling onto the motor shaft (14) anti-clockwise (left-hand thread).



Depending on the model of the motor shaft, you may sometimes have to screw a low nut onto the motor shaft before screwing on the flexible coupling. (Fig. G)

- If "D" is greater than 3 mm, do not screw on a low nut.
- If "D" is less than 3 mm **screw** a low nut (left-hand thread) onto the motor shaft then screw on the flexible coupling (11).



Dismantling the receiver part (knives):

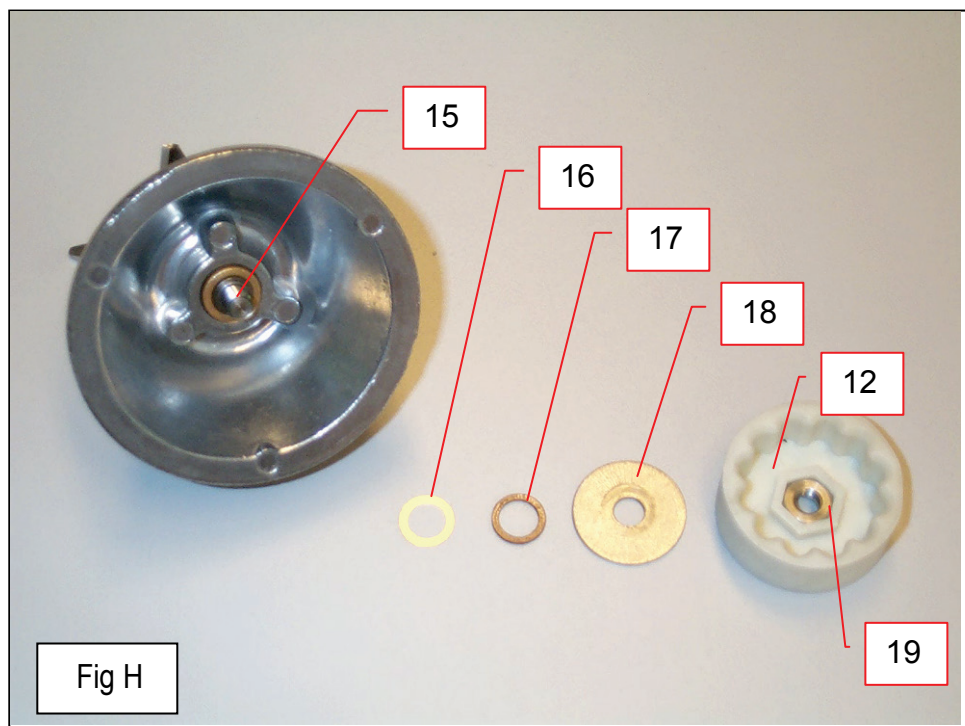
1. With a thick cloth, hold the knives (**BE CAREFUL there is a risk of cutting yourself**).
2. With pliers, catch the rigid coupling and unscrew it clockwise (left-hand thread).





Assembling the receiver part (knives) (Fig. H):

1. With a thick cloth, hold the knives (**BE CAREFUL there is a risk of cutting yourself**).
2. Fit the low nut (19) (left-hand thread) into the hexagonal housing of the hard plastic coupling (12).
3. Adhering to this order, put the knives (15) back on the shaft, the thin, stainless steel washer (16) then the fiber washer (17) and finally the wide stainless steel washer (18).
4. Screw up the coupling (12) counter-clockwise (left hand thread).



TROUBLESHOOTING

Identifying the cause of appliance stoppage with precision.

The appliance does not start:

- Check: the mains supply, the condition of the supply cord (10).
- Version E: the motor will not start unless the bowl assembly (1) is fitted on the motor unit (2).

The appliance stops after the motor has overheated: (the motor unit is hot)

The motor is protected by a built-in cut-out system. If it overheats the motor stops.

- Turn the On Off switch (9) to position **0**, take out the plug.
- Wait for the motor to cool down (20 to 45 minutes), then turn the On / Off switch (9) on (position 1).

If the problem persists, switch off the power supply to the machine (unplug the power supply cord (10)) and call in the maintenance service or contact a SANTOS-approved dealer.

The appliance stops following an overload:

If the motor jams (foreign body, matter or food too hard jamming the knives), it may heat up very quickly and cut out due to overheating.

- Switch off the appliance (unplug the power supply cord (10))
- Switch the on / off switch (9) to position **0**.
- Remove the bowl assembly (1) from the motor unit (2) and place it on a work top.
- Remove the lid (3) from the bowl and with a long, thin object, shift the hard bits jamming the knives.
- Put back the bowl assembly (1) onto the motor unit and switch back on.
- If the knives get jammed again, empty the bowl and cut the food up into small pieces.

If the problem persists, switch off the power supply to the machine (unplug the power supply cord (10)) and call in the maintenance service or contact a SANTOS-approved dealer.

The motor runs but the knives do not rotate:

- Check: the seating of the bowl assembly (1) on the motor unit (2), (Fig. I).
- Check: the condition of the coupling system (11 and 12).
- Check: the bowl seal (5) is positioned correctly (see "assembly and preparation" part).





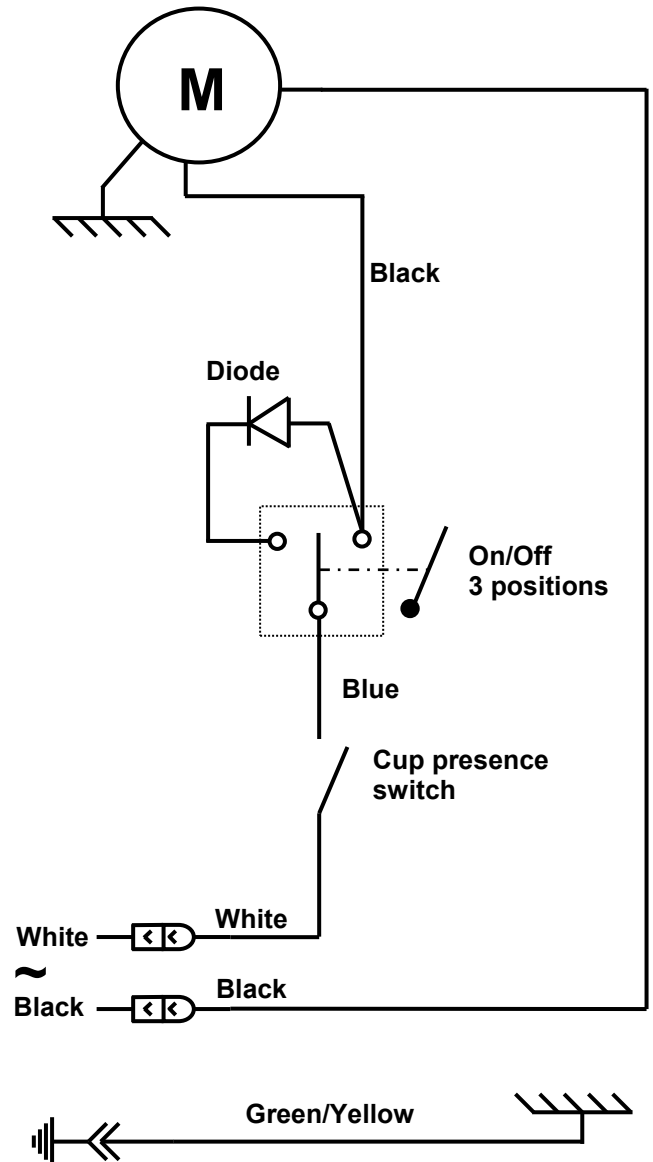
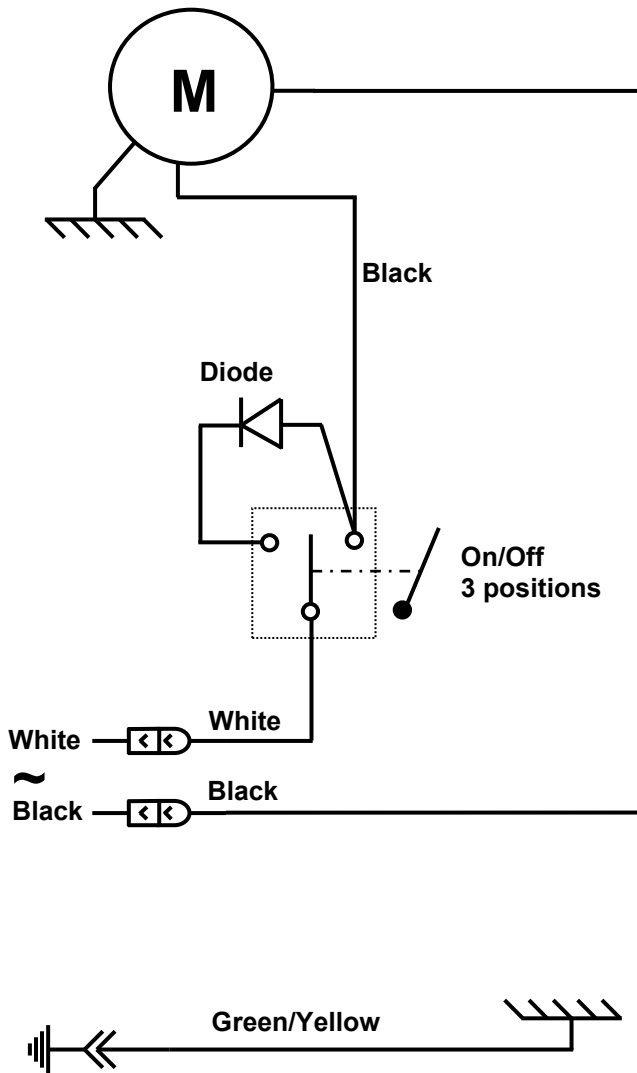
TECHNICAL SPECIFICATIONS

ELECTRICAL SPECIFICATIONS (1)		
Model 33		Single phase
Supply voltage	(V)	220-240 110-120
Frequency	(Hz)	50/60 50/60
Motor: Power rating		
Power input	(W)	600 650
Speed: Position 2	(rpm)	16000 18000
Position 1	(rpm)	12000 14000
Bowl capacity	(L)	1.2
Dimensions: Height	(mm)	420
Width	(mm)	180
Depth	(mm)	180
Weight: Net weight	(kg)	2.5
Packaged weight	(kg)	3
Noise: (2)	(dBA)	73

- (1) These ratings are given for your guidance. The exact electrical specifications of your appliance can be found on the rating plate.
- (2) Noise level measured with sound pressure appliance in operation 1 m from its centerline in accordance with standard EN 31201.

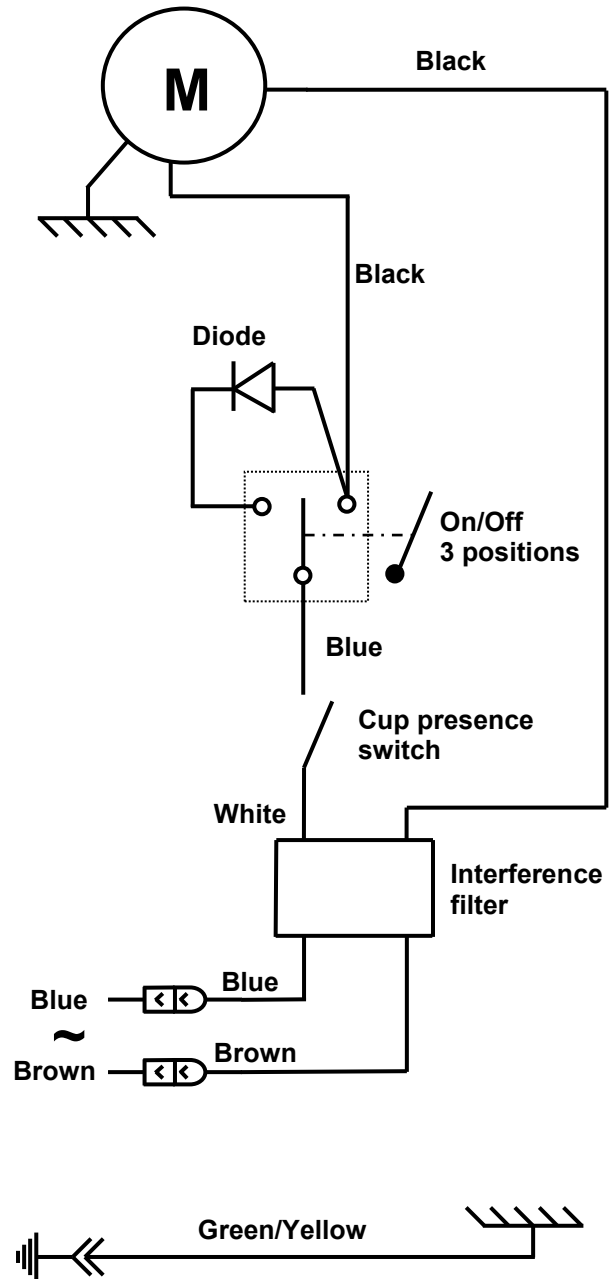
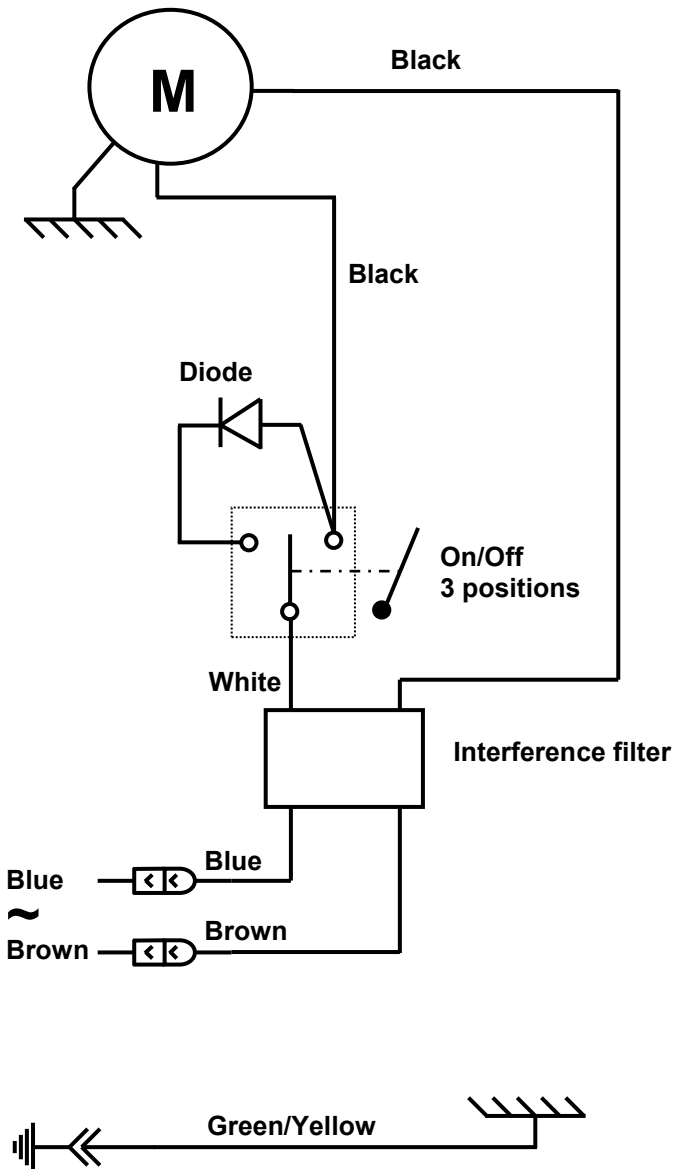
Wiring diagram 110-120V
50/60Hz N°33

Wiring diagram 110-120V
50/60Hz N°33E



Wiring diagram 220-240V
50/60Hz N°33

Wiring diagram 220-240V
50/60Hz N°33E





ITEM	Description
1	Bowl assembly
2	Motor unit
3	Lid
4	Cap
5	Bowl
6	Bowl nut
7	Knife hub
8	Bowl seal
9	On / Off switch
10	Power supply cord
11	Flexible coupling
12	Hard coupling
13	Groove of motor shaft
14	Motor shaft
15	Knife shaft
16	Thin, stainless steel washer
17	Fiber washer
18	Wide, stainless steel washer
19	Low nut



WARRANTY CERTIFICATE

WARRANTY

Since the 01.01.95, all our appliances comply with CE and possess the CE label. Our guarantee is of 24 months from the manufacturing date mentioned on the descriptive plate, except concerning the asynchronous motors (consisting of a rotor and a stator) which are warranted for 5 years from their manufacturing date. Warranty is strictly limited to the free replacement of any part of origin recognized by us as defective due to a defect or building default and identified as belonging to the concerned appliance. Warranty does not apply to damages resulting from installation or use non-complying with our appliance data sheet (user's manual) or in case of an evident lack of maintenance or disrespect of elementary security electric rules. It does not apply in case of regular wear and tear. Any replacement of parts under warranty will be realized after return of the defective part in our workshops, postage paid, supported by a copy of a conformity statement on which appears the serial number of the appliance. Every appliance is equipped with a descriptive plate conforming to the EC recommendations and of which a duplicate exists in the conformity statement (serial number, manufacturing date, electrical characteristics ...). In case of serious damage judged repairable only in our workshops, and after prior consent from our departments, any appliance under guarantee is sent by the Distributor, carriage paid. In case of repairs or reconditioning of appliances not under guarantee, the round trip transport is payable by the distributor. The parts and workforce are invoiced at the current rate. A preliminary estimate can be supplied.

Coffee grinder not using SANTOS original burrs are not taken under guarantee. The warranty conditions, repairs, reconditioning, of the espresso coffee grinder are the object of a specific note. Our guarantee does not extend to the payment of penalties, the repair of direct or indirect damages and notably to any loss of income resulting from the nonconformity or the defectiveness of products, SANTOS's global responsibility being limited to the sale price of the delivered product and to the possible repair of the defective products.

In case of revelation of an imperfection during the warranty period, the Distributor has to, unless a different written agreement of SANTOS, indicate to his customer to stop any use of the defective product. Such a use would release SANTOS of any responsibility.

APPLIANCE IDENTIFICATION PLATE

