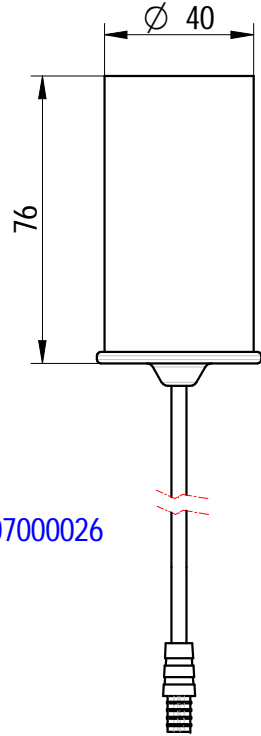
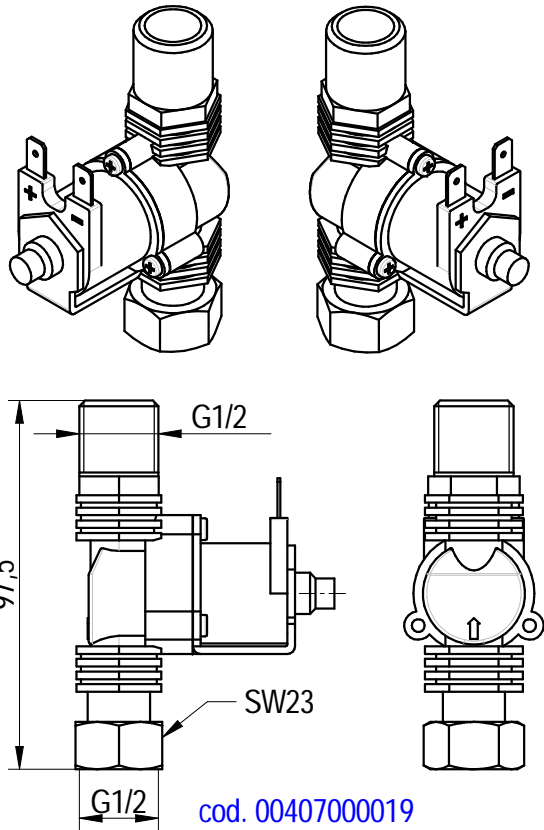


**BATTERY HOLDER**



cod. 00407000026

**SOLENOID VALVE**



cod. 00407000019

SWINGING SPOUT  
cod. 00605000010

FIXING KIT  
cod. 00306000086

sink fixing hole :  $\varnothing 30$  mm

FLOW RATE : 8 L/min

Shares without tolerance according to standard UNI-EN-22768-1-m	
SIZE A3	European Projection
DATE 09-03-2020	SCALE 1:2
DRAWN PICCOLO M.	
VALIDATE PICCOLO M.	

DESCRIPTION PHOTOCELL ELECTRONIC MIXER TAP WITH SWIVEL NOZZLE, ELECTRICITY POWERED	CODE ZEUS003
	WEIGHT 1,56 Kg



VIA DELL'ARTIGIANO 8/F-8-G , 31050 MONASTIER di TREVISO (TV) tel: 0422 842157 - fax: 0422 708978

DONE WITH DESIGN CAD - PROHIBITED THE CHANGES MANUAL

POWER SUPPLY : Alkaline batteries (4x1,5V AA)