

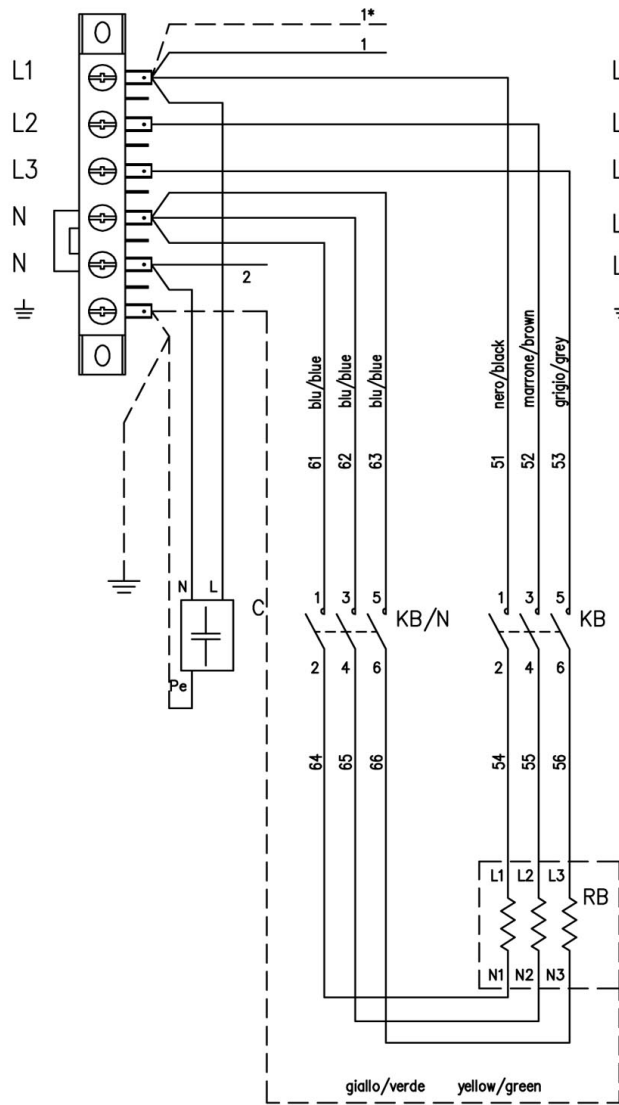
*OPTIONAL

NOTE
 + NON INSTALLATO SE PRESENTE IL TERMOSTATO DI SICUREZZA TRIPOLARE
 + NOT PRESENT WITH THE 3 POLE SAFETY THERMOSTAT

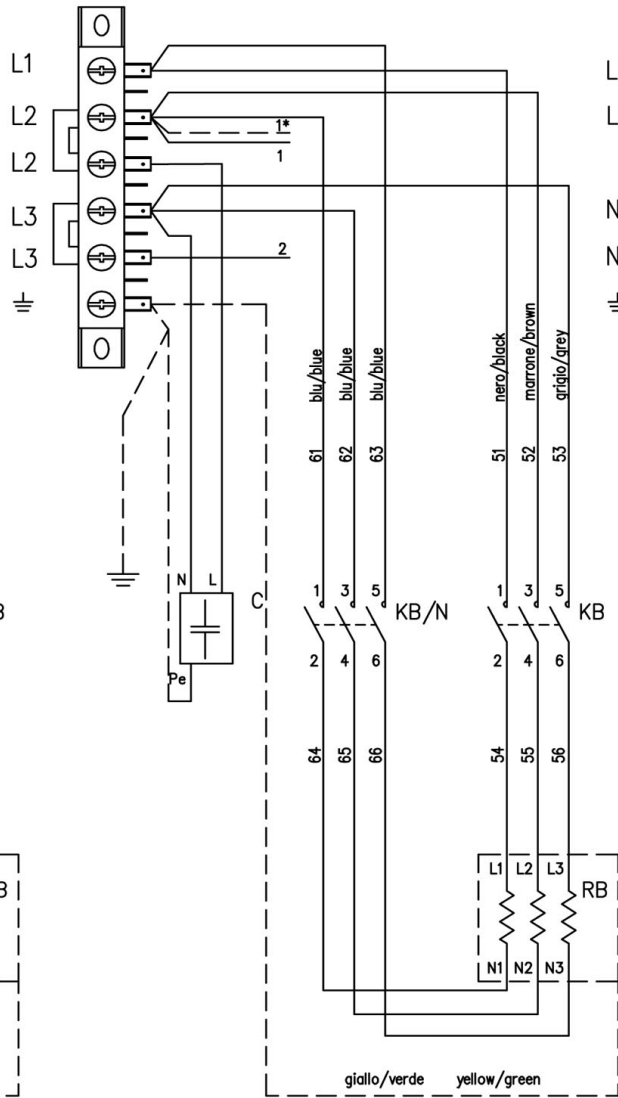


Spülmaschine Deltamat
 TF 526 R - Artikel-Nr.: 111655
 TF 526 LPR - Artikel-Nr.: 111660
 TF 526 LPWR - Artikel-Nr.: 111670

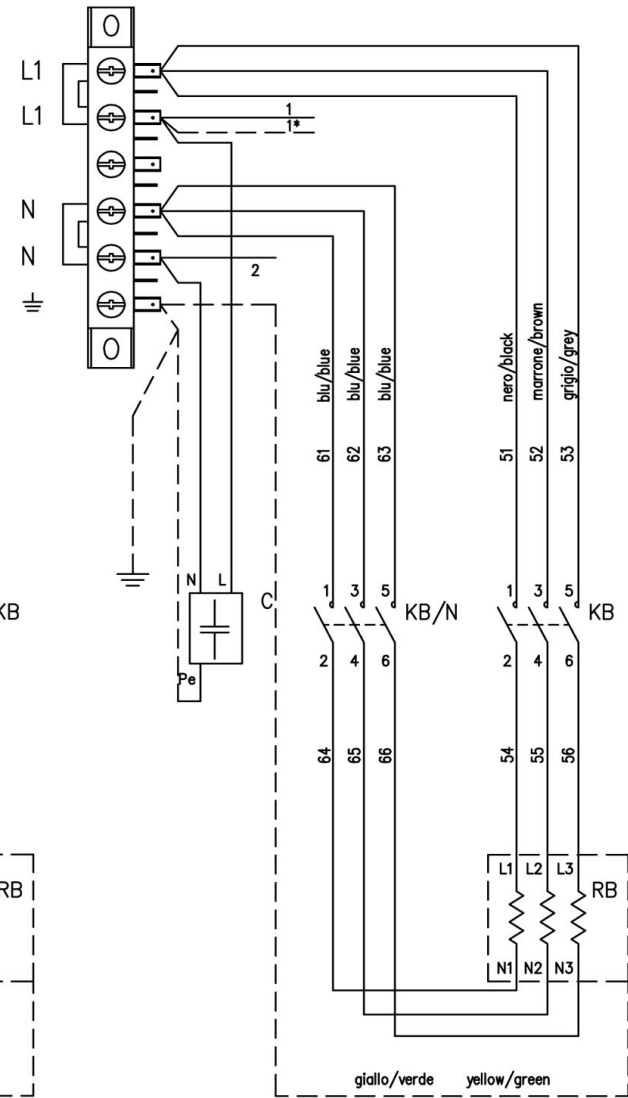
Schaltplan
 02.03.2017



400-415 3P+N 50/60H

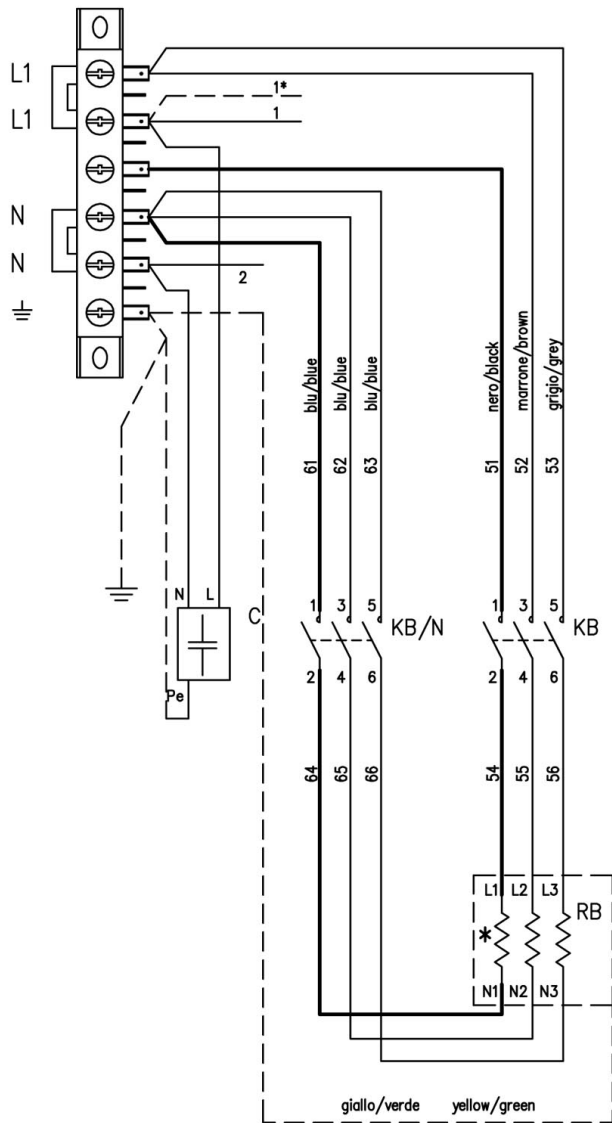


230-240 3P 50/60H



220-240 L1+N 50/60H

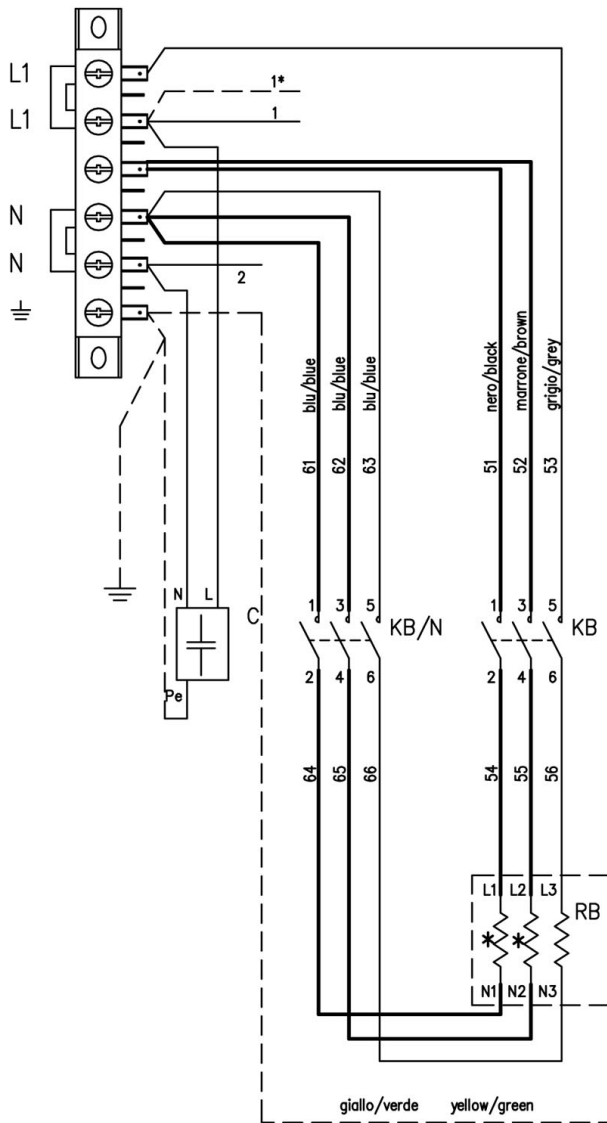
* Optional



220-240 L1+N 50/60H

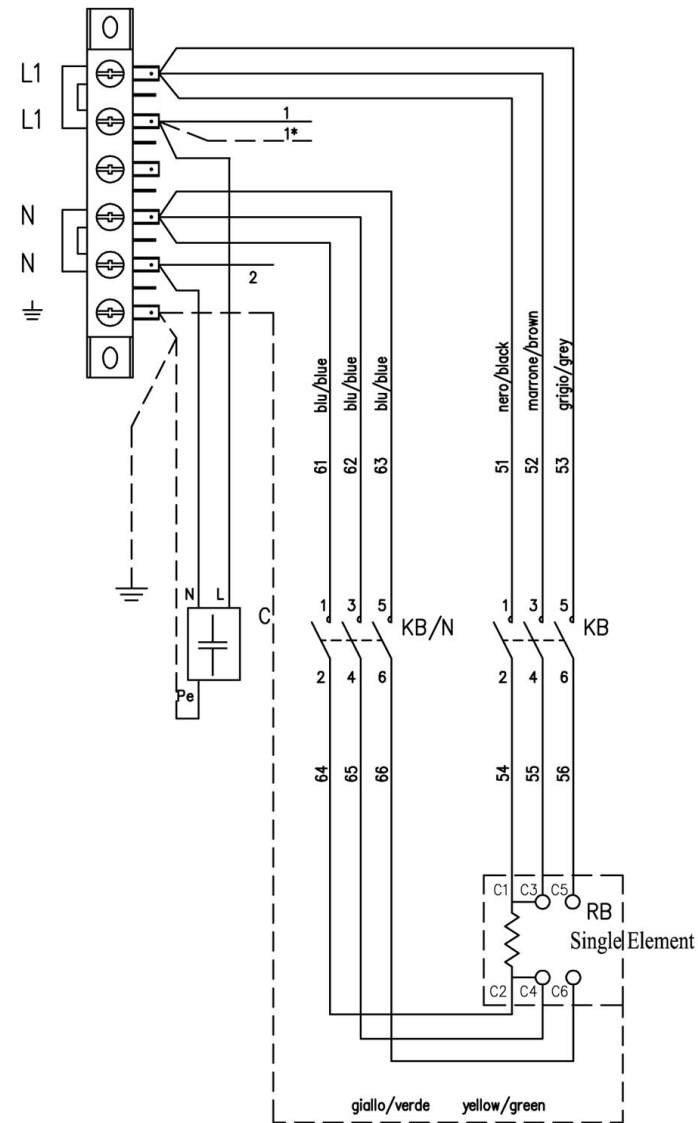
* Optional

*with 1 element boiler excluded



230 L1+N 50Hz

*with boiler 2 element exclud



240 L1+N 50Hz

Single Element



Spülmaschine Deltamat
 TF 526 R - Artikel-Nr.: 111655
 TF 526 LPR - Artikel-Nr.: 111660
 TF 526 LPWR - Artikel-Nr.: 111670

Schaltplan
 02.03.2017

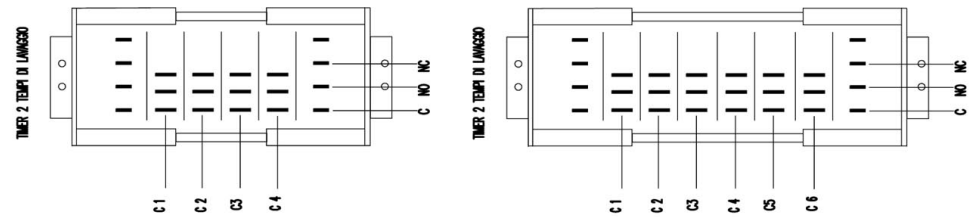
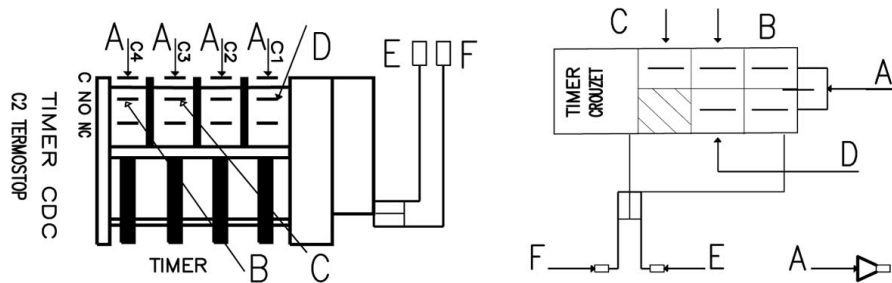
SIGLA	ITALIANO	INGLESE	FRANCESE	TEDESCO	SPAGNOLO
A1 A1/A A1/B	TASTERA	DISPLAY	AFFICHEUR	ANZEIGE	TECLADO
A2	SCHEDA DI POTENZA	MAIN BOARD	CARTE PUISSANCE	HAUPTPLATINE	FICHA DE POTENCIA
B1	SONDA TERMOSTATO BOILER	STROBE BOILER THERMOSTAT	SONDE THERMOSTAT SURCHAUFFEUR	BOILER THERMOSTAT	SONDA TERMOSTATO CALDERIN
B2	SONDA TERMOSTATO VASCA	STROBE TANK THERMOSTAT	SONDE THERMOSTAT CUV/E	TANK THERMOSTAT	SONDA TERMOSTATO CUBA
B3	SONDA CAMERA LAVAGGIO	WASH CHAMBER PROBE	SONDE CHAMBRE DE LAVAGE	SONDE WASHKABINE	SONDA SALA DE LAVADO
C1-2-3	FILTRO ANTIDISTURBO	CONDENSER	CONDENSATEUR	KONDENSATOR	FILTRO ANTI-PERTURBACION
CP	CONDENSATORE POMPA	PUMP CONDENSER	CONDENSATEUR POMPE	PUMPENKONDENSATOR	CONDENSADOR BOMBA
E1	BLOCCO PORTA	DOOR LOCK	SERRAGE PORTE	TURSPERRE	BLOQUEO DE PUERTA
EL1	LED COLORE BLU	LED BLUE	LED COULEUR BLEU	LED BLAU	LED COLOR AZUL
EL2	LED COLORE ROSSO	LED RED	LED COULEUR ROUGE	LED ROT	LED COLOR ROJO
EL3	LED COLORE VERDE	LED GREEN	LED COULEUR VERT	LED GRUEN	LED COLOR VERDE
FM1	PASTIGLIA TERMICA POMPA 1	SAFETY THERMIC SENSOR PUMP 1	SECURITE THERMIQUE POMPE 1	SICHERHEITSSENSOR DER POMPE 1	SEGURIDAD TERMICA BOMBA 1
FM2	PASTIGLIA TERMICA POMPA 2	SAFETY THERMIC SENSOR PUMP 2	SECURITE THERMIQUE POMPE 2	SICHERHEITSSENSOR DER POMPE 2	SEGURIDAD TERMICA BOMBA 2
FR1	RELE TERMICO POMPA 1	THERMIC RELAY PUMP 1	RELAIS THERMIQUE POMPE 1	THERMORELAIS DER POMPE 1	RELE TERMICO BOMBA 1
FR2	RELE TERMICO POMPA 2	THERMIC RELAY PUMP 2	RELAIS THERMIQUE POMPE 2	THERMORELAIS DER POMPE 2	RELE TERMICO BOMBA 2
FR3	RELE TERMICO POMPA RISCIA CQUO	THERMIC RELAY RINSING PUMP	RELAIS THERMIQUE POMPE RINCEGE	THERMORELAIS DER SPÜLLUNGSPUMPE	RELE TERMICO BOMBA DE DESCARGUE
FR6	RELE TERMICO MOTORE CESTO	THERMIC RELAY RACK MOTOR	RELAIS THERMIQUE MOTEUR PANIER	THERMORELAIS DES KORB MOTORS	RELE TERMICO MOTOR CESTA
FR7	RELE TERMICO MOTORE CONDENSA	THERMIC RELAY CONDENSER	RELAIS THERMIQUE MOTEUR CONDENSE	THERMORELAIS DES KONDENSATORS	RELE TERMICO MOTORA GUA DE CONDENSACION
FU 1-2-3-4	FUSIBILI 1-2-3-4	FUSE 1-2-3-4	FUSIBLES 1-2-3-4	SCHMELZSICHERUNGEN 1-2-3-4	FUSIBLE 1-2-3-4
HL1	SPA RETE	MAIN SWITCH LIGHT	VOYANT RESEAU ELECTRIQUE	NETZWERK-LEUCHTE	INDICADOR DE RED
HL10	SPA POMPA SCARICO	DRAIN PUMP LIGHT	VOYANT POMPE DE VIDANGE	KONTROLLEUCHTE LAUGENPUMPE	INDICADOR BOMBA DE DESAGUE
HL2	SPA CICLO	CYCLE LIGHT	VOYANT CYCLE	BETRIEBSLEUCHTE	INDICADOR DE CICLO
HL3	SPA RIGENERAZIONE	REGENERATION CYCLE LIGHT	VOYANT REGENERATION	REGENERATIONSLEUCHTE	INDICADOR REGENERACION
HL4	SPA TEMPERATURA	TEMPERATURE LIGHT	VOYANT TEMPERATURE	TEMPERATURELEUCHTE	INDICADOR TEMPERATURA
HL5	SPA ALLARME	ALARM WARNING LIGHT	VOYANT ALARME	ALARMANZEGER	INDICADOR ALARMA
HL6	SPA VASCA	TANK LEVEL LIGHT	VOYANT NIVEAU CUV/E	TANKWASSERNIVEAULAMPE	INDICADOR CUBA
HL7	SPA SALE	SALT LIGHT	VOYANT SEL	KONTROLLEUCHTE SALZ	INDICADOR SAL
HL8	SPA RISCALDAMENTO VASCA	TANK HEATING LIGHT	VOYANT CHAUFFAGE CUV/E	KONTROLLEUCHTE TANKERHITZUNG	INDICADOR CALFACCION CUBA
HL9	SPA RISCALDAMENTO BOILER	BOILER HEATING LIGHT	VOYANT CHAUFFAGE SURCHAUFFEUR	KONTROLLEUCHTE BOILERERHITZUNG	INDICADOR CALFACCION CALDERIN
KA	RELE GENERALE	MAIN RELAY	RELAIS	HAUPTRELAIS	RELE GENERAL
KA 1-2-3-4	RELE AUSILIARIO	AUXILIARY ELAY	RELAIS AUXILIAIRES	HILFSRELAIS	RELE AUXILIAR
KAM3	RELE POMPA AUMENTO PRESSIONE	RELAY BOOSTER PUMP	RELAIS SURPRESSEUR	NACHSPÜLPUMPE-RELAIS	RELE BOMBA AUMENTO DE PRESION
KB KB/N	TELERUTTORE BOILER	BOILER CONTACTOR	TELERUPTEUR SURCHAUFFEUR	FERNSCHALTER DES BOILERS	CONTACTOR CALDERIN
KBS	TELERUTTORE SICUREZZA BOILER	BOILER SAFETY CONTACTOR	TELERUPTEUR SECURITE SURCHAUFFEUR	SICHERHEITS-FERNSCHALTER DES BOILERS	CONTACTOR DE SEGURIDAD CALDERIN
KM1	TELERUTTORE POMPA LAVAGGIO 1	PUMP CONTACTOR TANK 1	TELERUPTEUR POMPE CUV/E 1	FERNSCHALTER DER WASCHPUMPE 1	CONTACTOR BOMBA LAVADO 1
KM2	TELERUTTORE POMPA LAVAGGIO 2	PUMP CONTACTOR TANK 2	TELERUPTEUR POMPE CUV/E 2	FERNSCHALTER DER WASCHPUMPE 2	CONTACTOR BOMBA LAVADO 2
KM2	TELERUTTORE POMPA LAVAGGIO 3	PUMP CONTACTOR TANK 1	TELERUPTEUR POMPE CUV/E 1	FERNSCHALTER DER WASCHPUMPE 1	CONTACTOR BOMBA LAVADO 1
KM2/A	TELERUTTORE POMPA LAVAGGIO 2	PUMP CONTACTOR TANK 2	TELERUPTEUR POMPE CUV/E 2	FERNSCHALTER DER WASCHPUMPE 2	CONTACTOR BOMBA LAVADO 2
KM3	TELERUTTORE POMPA AUMENTO PRESSIONE	BOOSTER PUMP CONTACTOR	SURPRESSEUR TELERUPTEUR	FERNSCHALTER DER NACHSPÜLPUMPE	CONTACTOR BOMBA AUMENTO DE PRESION
KM4	TELERUTTORE POMPA POMPA SCARICO	DRAIN PUMP CONTACTOR	TELERUPTEUR POMPE DE VIDANGE	SCHÜTZ ENTLERUNGSPUMPE	CONTACTOR BOMBA DE DESCARGA
KM6	TELERUTTORE MOTORE CESTO	RACK MOTOR CONTACTOR	TELERUPTEUR MOTEUR PANIER	FERNSCHALTER DES KORB MOTORS	CONTACTOR DE MOTOR CESTO
KM7	TELERUTTORE MOTORE ASPIRATORE	STEAM CONDENSER CONTACTOR	TELERUPTEUR ASPRATEUR MOTEUR	FERNSCHALTER DES DAMPFKONDENSATORS	CONTACTOR DE MOTOR EXTRACTOR
KV KV/N	TELERUTTORE VASCA	TANK CONTACTOR	TELERUPTEUR CUV/E	FERNSCHALTER DER TANK	CONTACTOR CUBA
KVS	TELERUTTORE SICUREZZA VASCA	SAFETY TANK THERMOSTAT	THERMOSTAT DE SECURITE CUV/E	SICHERHEITSTHERMOSTAT DER TANK	TERMOSTATO DE SEGURIDAD TANK
L	REATTORE	REACTOR	REACTEUR	REAKTOR	BOMBA DE REACCION
M1	POMPA LAVAGGIO 1	PUMP TANK 1	POMPE CUV/E 1	WASCHPUMPE 1	BOMBA DE LAVADO 1
M1/A	POMPA LAVAGGIO 3	PUMP TANK 3	POMPE CUV/E 3	WASCHPUMPE 3	BOMBA DE LAVADO 3
M10	DOSATORE SANITIZZANTE ELETTRICO	ELECTRIC SANITIZING DISPENSER	DOSEUR ASSAINISSEMENT ELECTRIQUE	ELEKTRISCHES SANITISATIONSMITTEL DOSIERGERAET	DOSIFICADOR DE SANEAMIENTO ELECTRICO
M11	MOTORE VENTOLA CONDENSATORE	CONDENSER-FAN MOTOR	MOTEUR VENTILATEUR CONDENSEUR	KONDENSATOR-GEBLÄSE MOTOR	MOTOR VENTILADOR CONDENSADOR
M2	POMPA LAVAGGIO 2	PUMP TANK 2	POMPE CUV/E 2	WASCHPUMPE 2	BOMBA DE LAVADO 2
M2/A	POMPA LAVAGGIO 4	PUMP TANK 4	POMPE CUV/E 4	WASCHPUMPE 4	BOMBA DE LAVADO 4
M3	POMPA AUMENTO PRESSIONE	BOOSTER PUMP	POMPE AUGMENTATION PRESSION	NACHSPÜLPUMPE	BOMBA AUMENTO DE PRESION
M4	POMPA SCARICO	DRAIN PUMP	POMPE DE VIDANGE	LAUGENPUMPE	BOMBA DE DESCARGUE
M5	DOSATORE DETERSIVO ELETTRICO	ELECTRIC DETERGENT PUMP	DOSEUR ELECTRIQUE DETERGENT	DOSIERGERÄT	DOSIFICADOR DE JABON ELECTRICO
M6	MOTORE CESTO	RACK MOTOR	MOTEUR PANIER	KORB MOTOR	MOTOR CESTO
M7	MOTORE ASPIRATORE	STEAM CONDENSER	MOTEUR D'ASPIRATION	DAMPFKONDENSATOR	MOTOR A SPRADOR
M8	POMPA LIFT	PUMP LIFT	POMPE LIFT	LIFT PUMPE	BOMBA LIFT
M9	DOSATORE BRILLANTANTE ELETTRICO	ELECTRIC RINSE A/D DISPENSER	DOSEUR DE RINCEGE ELECTRIQUE	ELEKTRISCHES KLÄRSPIELMITTEL DOSIERGERAET	DOSIFICA DOR DE A CLARADO ELECTRICO
MTz	MOTORE TIMER	TIMER MOTOR	MOTEUR PROGRAMMATEUR	TIMER MOTOR	MOTOR TIMER
MTzV	MOTORE TIMER VELOCE	FAST TIMER MOTOR	MOTEUR PROGRAMMATEUR A GRANDE VITESSE	SCHNELLTIMER MOTOR	MOTOR TIMER RAPIDO
Q1	INTERUTTORE ON/OFF	MAIN SWITCH	INTERRUPTEUR GENERAL	HAUPTSCHALTER	INTERRUPTOR GENERAL
RB	RESISTENZA BOILER	BOILER HEATING ELEMENT	RESISTANCE SURCHAUFFEUR	BOILERHEIZUNG	RESISTENCIA CALDERIN
RV	RESISTENZA VASCA	TANK HEATING ELEMENT	RESISTANCE CUV/E	TANKHEIZUNG	RESISTENCIA CUBA
S1	PULSANTE START CICLO	CYCLE SWITCH	BOULTON DEMARRER	START-TASTE	BOTON DE CICLO
S10	PULSANTE SET TIMER	TIME SETTING BUTTON	BOULTON SET TIMER	SET TIMER BEDIENTKNOPF	BOTÓN SET TIMER
S2	PULSANTE DEPURAZIONE	REGENERATION CYCLE SWITCH	BOULTON REGENERATION	REGENERATION-TASTE	BOTON DE DEPURACION
S3	PULSANTE SCARICO	DRAIN PUMP SWITCH	BOULTON POMPE DE VIDANGE	ENTLEERUNGSPUMPE-TASTE	BOTON DE DESCARGA
S4	PULSANTE INCREMENTA	BUTTON INCREASE	BOULTON AUGMENTE	ERHÖHUNG-TASTE	BOTON DE AUMENTO
S5	PULSANTE -DECREMENTA	BUTTON DECREASE	BOULTON DIMINUE	VERRINGERUNG-TASTE	BOTON DE DECREMENTO
S6	PULSANTE RISC. FREDDO	RINSE COLD WATER SWITCH	BOULTON DE RINCEGE FROID	KÄLTESPIHLUNG-TASTE	BOTON ENJAGUE FRO



Spülmaschine Deltamat
TF 526 R - Artikel-Nr.: 111655
TF 526 LPR - Artikel-Nr.: 111660
TF 526 LPWR - Artikel-Nr.: 111670

Schaltplan
02.03.2017

SIGLA	ITALIANO	INGLESE	FRANCESE	TEDESCO	SPAGNOLO
S7	PULSANTE CICLO INFINITO	UNLIMITED CYCLE PUSH BUTTON	BOUTON CYCLE SANS ARRÊT	PAUSELOSE ZYKLUS-START-TASTE	BOTÓN DE CICLO ILIMITADO
S8	PULSANTE PROGRAMMAZIONE	PROGRAMMATION SWITCH	BOUTON PROGRAMMATION	PROGRAMMSCHALTER	BOTÓN DE PROGRAMACION
S9	PULSANTE INFO	INFO BUTTON	BOUTON INFORMATION	INFORMATION	BOTÓN INFORMACION
SA1	INTERRUTTORE GENERALE	MAIN SWITCH	INTERRUPTEUR GENERAL	HAUPTSCHALTER	INTERRUPTORES GENERAL
SA2	INTERRUTTORE GENERALE-STAND BY	MAIN SWITCH STANDBY	INTERRUPTEUR GENERAL STANDBY	STAND-BY HAUPTSCHALTER	INTERRUPTORES GENERAL STANDBY
SA3	SELETTORE CICLO	PROGRAMMATION SWITCH	BOUTON PROGRAMMATION	PROGRAMMSCHALTER	SELECTOR DE CICLO
SE1	TERMOSTATO SICUREZZA BOILER 1	SAFETY THERMOSTAT BOILER 1	THERMOSTAT BOILER DE SECURITE 1	SICHERHEITSTHERMOSTAT DES BOILERS 1	TERMOSTATO DE SEGURIDAD CALDERIN 1
SE10	TERMOSTATO DI SICUREZZA VASCA 1	SAFETY TANK THERMOSTAT	THERMOSTAT DE SECURITE CUVE	SICHERHEITSTHERMOSTAT DER TANK	TERMOSTATO DE SEGURIDAD TANK 1
SE1F3	TERMOSTATO SICUREZZA BOILER 1 3F	SAFETY THERMOSTAT BOILER 1 3F	THERMOSTAT BOILER DE SECURITE 3F	SICHERHEITSTHERMOSTAT DES BOILERS 1 3F	TERMOSTATO DE SEGURIDAD CALDERIN 1 3F
SE2	TERMOSTATO SICUREZZA VASCA 1	SAFETY THERMOSTAT TANK 1	THERMOSTAT DE SECURITE CUVE 1 3F	SICHERHEITSTHERMOSTAT DER TANK 1	TERMOSTATO DE SEGURIDAD TANK 1
SF	FLUSSOSTATO	FLUXOSTAT	FLUSSOSTAT	FLUSSMESSGERÄT	FLUJO
SL	SENSORE LIVELLO VASCA	LEVEL TANK SENSOR	PRESSOSTAT CUVE	TANKNIVEAUSENSOR	SENSOR DE NIVEL CUBA
SL1	SENSORE LIVELLO BOILER	PRESSURE SWITCH BOILER	PRESSOSTAT BOILER	BOILERNIVEAUSENSOR	SENSOR DE NIVEL CALDERIN
SL2	SENSORE LIVELLO BREAK TANK	BREAK TANK LEVEL SENSOR	CAPTEUR DE NIVEAU BREAK TANK	NIVEAUSENSOR FÜR BREAK TANK	SENSOR DE NIVEL BREAK TANK
SL3	SENSORE LIVELLO SICUREZZA	SECURITY LEVEL SENSOR	CAPTEUR DE NIVEAU DE SECURITE	SICHERHEITSNIVEAUSENSOR	SENSOR DE NIVEL SEGURIDAD
SL4	SENSORE LIVELLO DETERSIVO	LEVEL DETERGENT SENSOR	CAPTEUR DE NIVEAU PRODUIT LAVAGE	NIVEAUSENSOR FÜR WÄSCHMITTEL	SENSOR DE NIVEL DOSIFICADOR DE JABÓN
SL5	SENSORE LIVELLO BRILLANTANTE	LEVEL RINSE SENSOR	CAPTEUR DE NIVEAU PRODUIT RINÇAGE	NIVEAUSENSOR FÜR SPÜLMITTEL	SENSOR DE NIVEL DOSIFICADOR DE ABRILLANTADOR
SL6	SENSORE LIVELLO SALE	SALT LEVEL	CAPTEUR DE NIVEAU DU SEL	NIVEAUSENSOR FÜR SALZ	SENSOR DE NIVEL SAL
SL7	SENSORE LIVELLO TANK LIFT	LEVEL LIFT TANK SENSOR	CAPTEUR DE NIVEAU TANK LIFT	NIVEAUSENSOR FÜR LIFT TANK	SENSOR DE NIVEL LIFT TANK
SL8	SENSORE LIVELLO BREAK TANK	LEVEL BREAK TANK SENSOR	CAPTEUR DE NIVEAU BREAK TANK	NIVEAUSENSOR FÜR BREAK TANK	SENSOR DE NIVEL BREAK TANK
SL9	SENSORE LIVELLO SANITIZZANTE	SANITIZER LEVEL SENSOR	CAPTEUR NIVEAU ASSAINISSEMENT	NIVEAUSENSOR SANITISATIONSMITTEL	SENSOR LIVEL SANEAMIENTO
SP1	SENSORE PRESSIONE RETE	NETWORK PRESSURE SENSOR	CAPTEUR PRESSION HYDRAULIQUE	WASSERDRUCKSENSOR	SENSOR PRESSION HIDRÁULICA
SP2	SENSORE PRESSIONE POMPA M1	PRESSURE SENSOR PUMP M1	CAPTEUR PRESSION POMPE M1	DRUCKSCHALTER PUMPE M1	SENSOR PRESSION BOMBA M1
SP3	SENSORE PRESSIONE POMPA M1A	PRESSURE SENSOR PUMP M1 A	CAPTEUR PRESSION POMPE M1A	DRUCKSCHALTER PUMPE M1 A	SENSOR PRESSION BOMBA M1A
SP4	SENSORE PRESSIONE POMPA M2	PRESSURE SENSOR PUMP M2	CAPTEUR PRESSION POMPE M2	DRUCKSCHALTER PUMPE M2	SENSOR PRESSION BOMBA M2
SP5	SENSORE PRESSIONE POMPA M2A	PRESSURE SENSOR PUMP M2 A	CAPTEUR PRESSION POMPE M2A	DRUCKSCHALTER PUMPE M2 A	SENSOR PRESSION BOMBA M2A
SPV	SENSORE VACUOSTATO	VACUUM SWITCH SENSOR	CAPTEUR VACUOSTAT	VAKUUMETER SENSOR	SENSOR VACUOSTATO
SQ1 A-B-C	SENSORE FINECORSA PORTA	DOOR SAFETY SWITCH	CAPTEUR MICRO SECURITE PORTE	TÜR-KONTAKT	SENSOR FINAL DE CARRERA PUERTA
SQ2	SENSORE FILTRO	FILTER SWITCH	CAPTEUR FILTRE	FILTER-SENSOR	SENSOR FILTRO
SR1-8	SENSORE ROTATIVO 1-8	SENSOR ROTARY 1-8	CAPTEUR ROTATIF 1-8	SENSOR ROTARY 1-8	SENSOR DE ROTARY 1-8
ST1	TERMOSTATO BOILER 1	BOILER THERMOSTAT	THERMOSTAT SURCHAUFFEUR	BOILERTHERMOSTAT 1	TERMOSTATO CALDERIN 1
ST10	TERMOSTATO VASCA 1	TANK THERMOSTAT	THERMOSTAT CUVE	TANKTHERMOSTAT 1	TERMOSTATO CUBA 1
TA1	TRASFORMATORE	TRANSFORMER	TRANSFORMATEUR	TRANSFORMATOR	TRANSFORMADOR
UV	LAMPADA UV	LAMP UV	LAMPE UV	UV-LAMPE	LAMPARA UV
Y1	BLETTROVALVOLA REMPIMENTO VASCA	LOAD SOLENOID VALVE	ELECTROVANNE CHARGEMENT CUVE	MAGNETVENTIL FÜR TANKFÜLLUNG	BLETTROVALVOLA CARGA CUBA
Y2	BLETTROVALVOLA SALAMOIA	REGENERATION SOLENOID VALVE	ELECTROVANNE REGENERATION	MAGNETVENTIL FÜR REGENERATION	BLETTROVALVOLA REGENERACIÓN
Y3	BLETTROVALVOLA SCARICO SALAMOIA	DRAIN SOLENOID VALVE	ELECTROVANNE VIDANGE	ENTLEERUNGS-MAGNETVENTIL	BLETTROVALVOLA DESCARGUE REGENERACIÓN
Y4	BLETTROVALVOLA RSC FREDDO	RINSE COLD WATER SOLENOID VALVE	ELECTROVANNE RINÇAGE FROID	KALTWASSERSPÜLUNG-MAGNETVENTIL	BLETTROVALVOLA ENJAGUE FROID
Y5	BLETTROVALVOLA REMPIMENTO BOILER	LOAD BOILER SOLENOID VALVE	ELECTROVANNE CHARGEMENT SURCHAUFFEUR	MAGNETVENTIL FÜR BOILERFÜLLUNG	BLETTROVALVOLA CARGA CALDERIN
Y6	BLETTROVALVOLA LAVAGGIO CONDENSATORE	CONDENSER CLEANING SOLENOID VALVE	ELECTROVANNE NETTOYAGE CONDENSEUR	MAGNETVENTIL KONDENSATORREINIGUNG	BLETTROVALVOLA LIMPIAR CONDENSADOR
Y7	BLETTROVALVOLA LIFT	SOLENOID VALVE LIFT	ELECTROVANNE LIFT	LIFT MAGNETVENTIL	BLETTROVALVOLA LIFT
Y8	BLETTROVALVOLA BREAK TANK	SOLENOID VALVE BREAK TANK	ELECTROVANNE BREAK TANK	BREAK TANK MAGNETVENTIL	BLETTROVALVOLA BREAK TANK
Y9	BLETTROVALVOLA CONDENSAZIONE	MAIN SOLENOID VALVE	ELECTROVANNE CONDENSATION	HAUPTMAGNETVENTIL	SOLENOIDE DE CONDENSACIÓN
Y10	BLETTROVALVOLA RIGENERAZIONE CAPOTTE	Y10 HOOD TYPE REGENERATION SOLENOID VALVE	Y10 ELECTROVANNE REGENERATION MACHINE A CAPOT	Y10 MAGNETVENTIL REGENERIERUNG HAUBENMASCHINE	Y10 ELECTROVALVULA REGENERACION CUPULA
YG	BLETTROVALVOLA GENERALE	MAIN SOLENOID VALVE	ELECTROVANNE GENERALE	HAUPTMAGNETVENTIL	SOLENOIDE GENERAL
YM	BLETTROVALVOLA MOTORIZZATA GRANULI	MOTORIZED GRANULES SOLENOID VALVE	ELECTROVANNE MOTORISEES GRANULES	MOTORISIERTES MAGNETVENTIL FÜR GRANULAT	BLETTROVALVOLA MOTORIZADA PARA GRANULADO
YVB	BLETTROVALVOLA VAPORE BOILER	STEAM BOILER SOLENOID VALVE	ELECTROVANNE VAPEUR SURCHAUFFEUR	DAMPFMAGNETVENTIL BOILER	BLETTROVALVOLA VAPOR CALDERIN
YVT	BLETTROVALVOLA VAPORE VASCA	STEAM TANK SOLENOID VALVE	ELECTROVANNE VAPEUR CUVE	DAMPFMAGNETVENTIL TANK	BLETTROVALVOLA VAPOR CUBA



Spülmaschine Deltamat
 TF 526 R - Artikel-Nr.: 111655
 TF 526 LPR - Artikel-Nr.: 111660
 TF 526 LPWR - Artikel-Nr.: 111670

Schaltplan
 02.03.2017