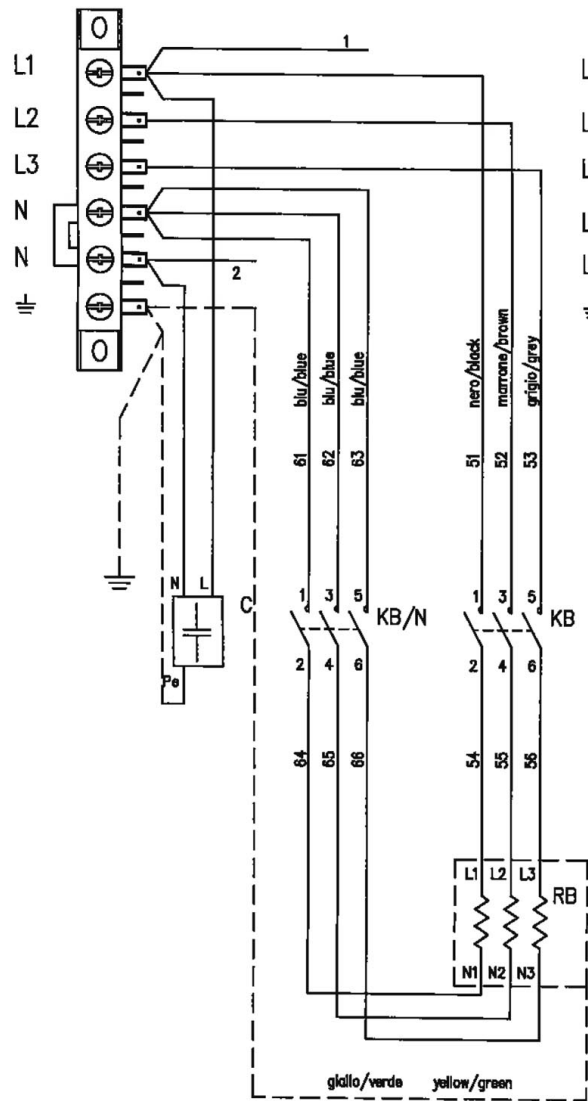
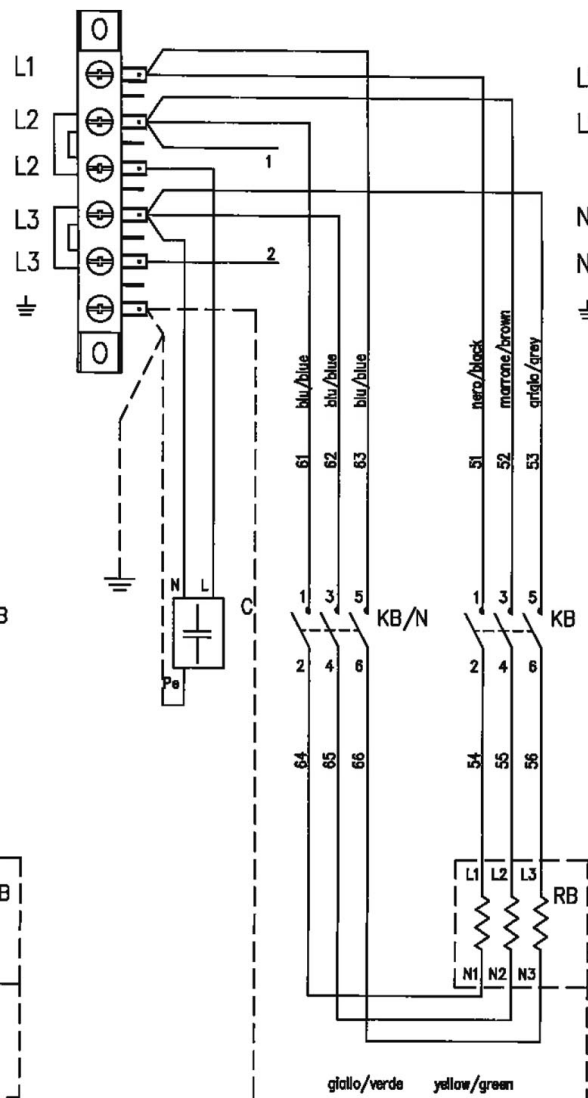


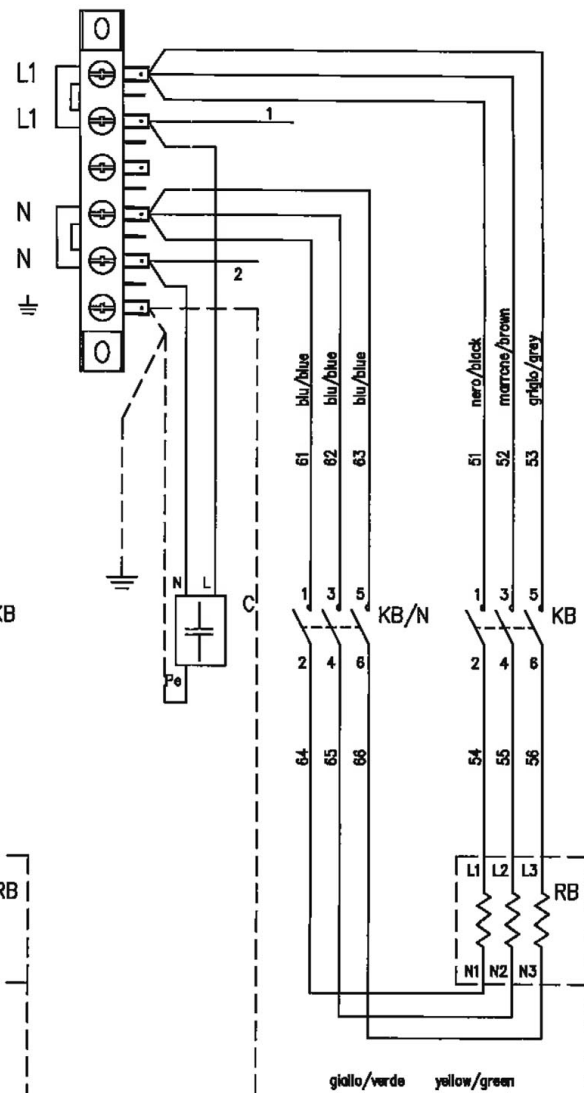
NOTE
 + NON INSTALLATO SE PRESENTE IL TERMOSTATO DI SICUREZZA TRIPOLARE
 + NOT PRESENT WITH THE 3 POLE SAFETY THERMOSTAT



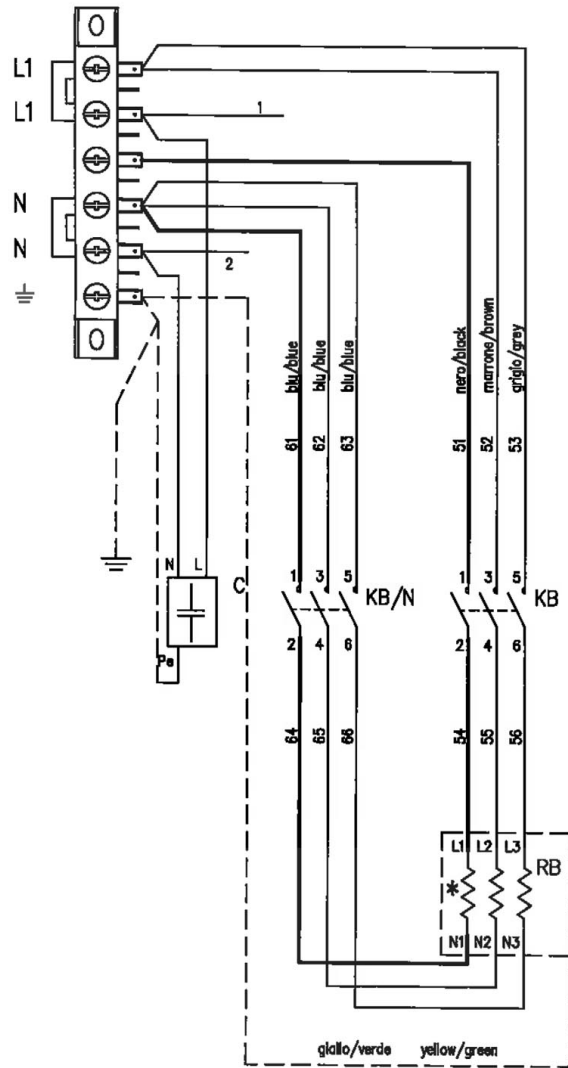
400-415 3P+N 50/60H



230-240 3P 50/60H

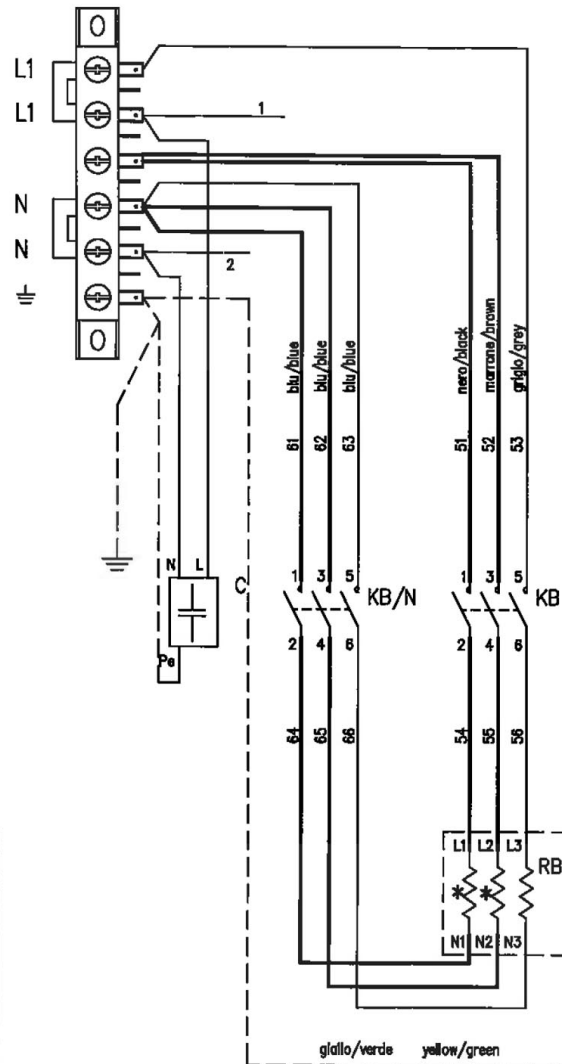


220-240 L1+N 50/60H



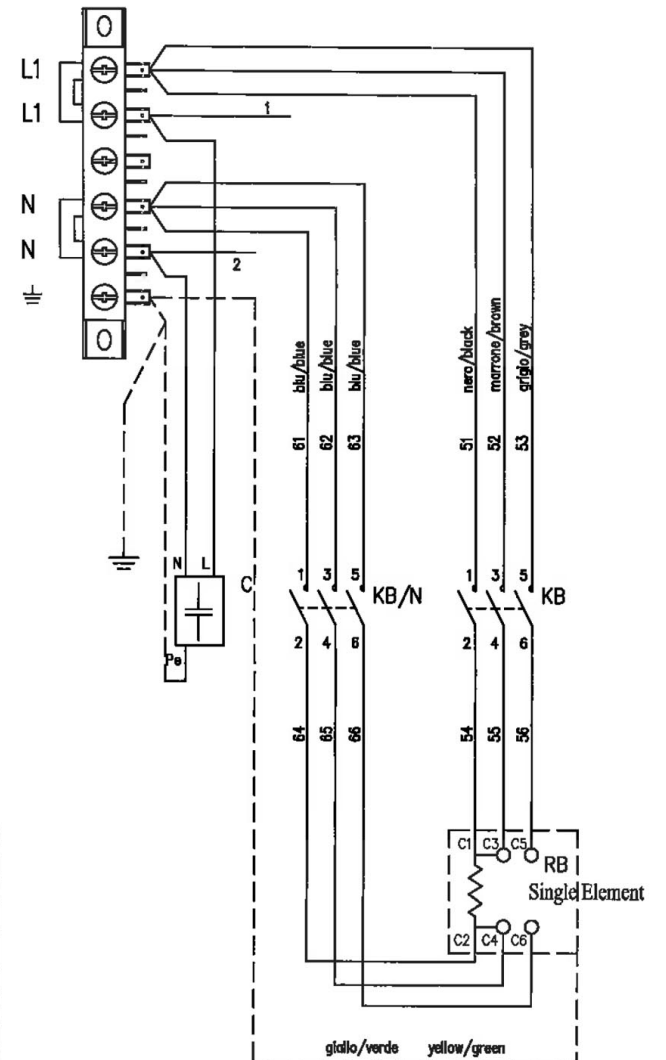
220-240 L1+N 50/60Hz

*with 1 element boiler excluded



230 L1+N 50Hz

*with boiler 2 element exclud



240 L1+N 50Hz

SIGLA	ITALIANO	INGLESE	FRANCESE	TEDESCO	SPAGNOLO
A1 A1/A A1/B	TASTERA	DISPLAY	AFICHEUR	ANZIGGE	TECLADO
A2	SCHEDA DI POTENZA	MAIN BOARD	CARTE PUISSANCE	HAUPTPLATINE	FICHA DE POTENCIA
B1	SONDA TERMOSTATO BOILER	PROBE BOILER THERMOSTAT	SONDE THERMOSTAT SURCHAUFFEUR	BOILER THERMOSTAT	SONDA TERMOSTATO CALDERIN
B2	SONDA TERMOSTATO VASCA	PROBE TANK THERMOSTAT	SONDE THERMOSTAT CUVE	TANK THERMOSTAT	SONDA TERMOSTATO CUBA
B3	SONDA CAMERA LAVAGGIO	WASH CHAMBER PROBE	SONDE CHAMBRE DE LAVAGE	SONDE WASHKABINE	SONDA SALA DE LAVADO
C1-2-3	FILTRO ANTIDISTURBO	CONDENSER	CONDENSATEUR	KONDENSATOR	FILTRO ANTI-ENTURBACION
CP	CONDENSATORE POMPA	PUMP CONDENSER	CONDENSATEUR POMPE	PUMP/KONDENSATOR	CONDENSADOR BOMBA
E1	BLOCCO PORTA	DOOR LOCK	SERRAGE PORTE	TURSPERRE	BLOQUEO DE PUERTA
EL1	LED COLORE BLU	LED BLUE	LED COULEUR BLEU	LED BLAU	LED COLOR AZUL
EL2	LED COLORE ROSSO	LED RED	LED COULEUR ROUGE	LED ROT	LED COLOR ROJO
EL3	LED COLORE VERDE	LED GREEN	LED COULEUR VERT	LED GRUEN	LED COLOR VERDE
FM1	PASTIGLIA TERMICA POMPA 1	SAFETY THERMIC SENSOR PUMP 1	SECURITE THERMIQUE POMPE 1	SICHERHEITSSENSOR DER PUMPE 1	SEGURIDAD TERMICA BOMBA 1
FM2	PASTIGLIA TERMICA POMPA 2	SAFETY THERMIC SENSOR PUMP 2	SECURITE THERMIQUE POMPE 2	SICHERHEITSSENSOR DER PUMPE 2	SEGURIDAD TERMICA BOMBA 2
FR1	RELE TERMICO POMPA 1	THERMIC RELAY PUMP 1	RELAIS THERMIQUE POMPE 1	THERMORELAIS DER PUMPE 1	RELE TERMICO BOMBA 1
FR2	RELE TERMICO POMPA 2	THERMIC RELAY PUMP 2	RELAIS THERMIQUE POMPE 2	THERMORELAIS DER PUMPE 2	RELE TERMICO BOMBA 2
FR3	RELE TERMICO POMPA RISCIA CILIO	THERMIC RELAY RINSING PLMP	RELAIS THERMIQUE POMPE RINCE	THERMORELAIS DER SPULUNGSPUMPE	RELE TERMICO BOMBA DE DESCARGUE
FR6	RELE TERMICO MOTORE CESTO	THERMIC RELAY RACK MOTOR	RELAIS THERMIQUE MOTEUR PANIER	THERMORELAIS DES KORB MOTORS	RELE TERMICO MOTOR CESTA
FR7	RELE TERMICO MOTORE CONDENSA	THERMIC RELAY CONDENSER	RELAIS THERMIQUE MOTEUR CONDENSE	THERMORELAIS DES KONDENSATORS	RELE TERMICO MOTORA GUA DE CONDENSACION
FU 1-2-3-4	FUSIBILI 1-2-3-4	FUSES 1-2-3-4	FUSIBLES 1-2-3-4	SCHWELLSCHUTZLEITUNGEN 1-2-3-4	FUSIBLE 1-2-3-4
HL1	SPA RETE	MAIN SWITCH LIGHT	VOYANT RESEAU ELECTRIQUE	NETZWERK LEUCHE	INDICADOR DE RED
HL10	SPA POMPA SCARICO	DRAIN PUMP LIGHT	VOYANT POMPE DE VIDANGE	KONTROLLEUCHTE LAUGENPUMPE	INDICADOR BOMBA DE DESAGUE
HL2	SPA CICLO	CYCLE LIGHT	VOYANT CYCLE	BETRIEBSLEUCHE	INDICADOR DE CICLO
HL3	SPA RIGENERAZIONE	REGENERATION CYCLE LIGHT	VOYANT REGENERATION	REGENERATIONSLUCHE	INDICADOR REGENERACION
HL4	SPA TEMPERATURA	TEMPERATURE LIGHT	VOYANT TEMPERATURE	TEMPERATURELEUCHE	INDICADOR TEMPERATURA
HL5	SPA ALLARME	ALARM WARNING LIGHT	VOYANT ALARME	ALARMANZIGER	INDICADOR ALARMA
HL6	SPA VASCA	TANK LEVEL LIGHT	VOYANT NIVEAU CUVE	TANKWASSERNEBELLEUCHE	INDICADOR CUBA
HL7	SPA SALE	SALT LIGHT	VOYANT SEL	KONTROLLEUCHTE SALZ	INDICADOR SAL
HL8	SPA RISCALDAMENTO VASCA	TANK HEATING LIGHT	VOYANT CHAUFFAGE CUVE	KONTROLLEUCHTE TANKERHITZUNG	INDICADOR CALFACCION CUBA
HL9	SPA RISCALDAMENTO BOILER	BOILER HEATING LIGHT	VOYANT CHAUFFAGE SURCHAUFFEUR	KONTROLLEUCHTE BOILERERHITZUNG	INDICADOR CALFACCION CALDERIN
KA	RELE GENERALE	MAIN RELAY	RELAIS	HAUPTRELAIS	RELE GENERAL
KA 1-2-3-4	RELE AUSILIARIO	AUXILIAR ELAY	RELAIS AUXILIARES	HILFSRELAIS	RELE AUXILIAR
KAM3	RELE POMPA AUMENTO PRESSIONE	RELAY BOOSTER PUMP	RELAIS SURPRESSEUR	NACHSPULPUMPE-RELAIS	RELE BOMBA AUMENTO DE PRESION
KB KB/N	TELERUTTORE BOILER	BOILER CONTACTOR	TELERUPTEUR SURCHAUFFEUR	FERNSCHALTER DES BOILERS	CONTACTOR CALDERIN
KBS	TELERUTTORE SICUREZZA BOILER	BOILER SAFETY CONTACTOR	TELERUPTEUR SECURITE SURCHAUFFEUR	SICHERHEITS-FERNSCHALTER DES BOILERS	CONTACTOR CALDERIN
KM1	TELERUTTORE POMPA LAVAGGIO 1	PUMP CONTACTOR TANK 1	TELERUPTEUR POMPE CUVE 1	FERNSCHALTER DER WASHPUMPE 1	CONTACTOR BOMBA LAVADO 1
KM2	TELERUTTORE POMPA LAVAGGIO 2	PUMP CONTACTOR TANK 2	TELERUPTEUR POMPE CUVE 2	FERNSCHALTER DER WASHPUMPE 2	CONTACTOR BOMBA LAVADO 2
KM2	TELERUTTORE POMPA LAVAGGIO 3	PUMP CONTACTOR TANK 1	TELERUPTEUR POMPE CUVE 1	FERNSCHALTER DER WASHPUMPE 1	CONTACTOR BOMBA LAVADO 1
KM2/A	TELERUTTORE POMPA LAVAGGIO 2	PUMP CONTACTOR TANK 2	TELERUPTEUR POMPE CUVE 2	FERNSCHALTER DER WASHPUMPE 2	CONTACTOR BOMBA LAVADO 2
KM3	TELERUTTORE POMPA AUMENTO PRESSIONE	BOOSTER PUMP CONTACTOR	SURPRESSEUR TELERUPTEUR	FERNSCHALTER DER NACHSPULPUMPE	CONTACTOR BOMBA AUMENTO DE PRESION
KM6	TELERUTTORE MOTORE CESTO	RACK MOTOR CONTACTOR	TELERUPTEUR MOTEUR PANIER	FERNSCHALTER DES KORB MOTORS	CONTACTOR DE MOTOR CESTO
KM7	TELERUTTORE MOTORE ASPIRATORE	STEAM CONDENSER CONTACTOR	TELERUPTEUR ASPRATEUR MOTEUR	FERNSCHALTER DES DAMPFKONDENSATORS	CONTACTOR DE MOTOR EXTRACTOR
KV KV/N	TELERUTTORE VASCA	TANK CONTACTOR	TELERUPTEUR CUVE	FERNSCHALTER DER TANK	CONTACTOR CUBA
KVS	TELERUTTORE SICUREZZA VASCA	SAFETY TANK THERMOSTAT	THERMOSTAT DE SECURITE CUVE	SICHERHEITSTHERMOSTAT DER TANK	TERMOSTATO DE SEGURIDAD TANK
L	REATTORE	REACTOR	REACTEUR	REAKTOR	BOBINA DE REACCION
M1	POMPA LAVAGGIO 1	PUMP TANK 1	POMPE CUVE 1	WASCHPUMPE 1	BOMBA DE LAVADO 1
M1/A	POMPA LAVAGGIO 3	PUMP TANK 3	POMPE CUVE 3	WASCHPUMPE 3	BOMBA DE LAVADO 3
M10	DOSATORE SANITIZZANTE ELETTRICO	ELECTRIC SANITIZING DISPENSER	DOSEUR A SANISSISEMENT ELECTRIQUE	ELEKTRISCHES SANITISATIONSMITTELDOSEGERAET	DOSIFICADOR DE SANAMIENTO ELECTRICO
M11	MOTORE VENTOLA CONDENSATORE	CONDENSER-FAN MOTOR	MOTEUR VENTILATEUR CONDENSEUR	KONDENSATOR-GEBLAESSE MOTOR	MOTOR VENTILADOR CONDENSADOR
M2	POMPA LAVAGGIO 2	PUMP TANK 2	POMPE CUVE 2	WASCHPUMPE 2	BOMBA DE LAVADO 2
M2/A	POMPA LAVAGGIO 4	PUMP TANK 4	POMPE CUVE 4	WASCHPUMPE 4	BOMBA DE LAVADO 4
M3	POMPA AUMENTO PRESSIONE	BOOSTER PUMP	POMPE AUGMENTATION PRESSION	NACHSPULPUMPE	BOMBA AUMENTO DE PRESION
M4	POMPA SCARICO	DRAIN PUMP	POMPE DE VIDANGE	LAUGENPUMPE	BOMBA DE DESCARGUE
M6	DOSATORE DETERGENTE ELETTRICO	ELECTRIC DETERGENT PUMP	DOSEUR ELECTRIQUE DETERGENT	DOSEIERGRAT	DOSIFICADOR DE JABON ELECTRICO
M6	MOTORE CESTO	RACK MOTOR	MOTEUR PANIER	KORB MOTOR	MOTOR CESTO
M7	MOTORE ASPIRATORE	STEAM CONDENSER	MOTEUR D'ASPIRATION	DAMPFKONDENSATOR	MOTOR ASPIRADOR
M8	POMPA LIFT	PUMP LIFT	POMPE LIFT	LIFT PUMPE	BOMBA LIFT
M9	DOSATORE BRILLANTANTE ELETTRICO	ELECTRIC RINSE A D DISPENSER	DOSEUR DE RINCEAGE ELECTRIQUE	ELEKTRISCHES KLARSPELUMITTELDOSEIERGERAET	DOSIFICADOR DE ACLARADO ELECTRICO
M7z	MOTORE TIMER	TIMER MOTOR	MOTEUR PROGRAMMATEUR	TIMER MOTOR	MOTOR TIMER
M7zV	MOTORE TIMER VELOCE	FAST TIMER MOTOR	MOTEUR PROGRAMMATEUR A GRANDE VITESSE	SCHNELLTIMER MOTOR	MOTOR TIMER RAPIDO
Q1	INTERRUTTORE ON/OFF	MAIN SWITCH	INTERRUPTEUR GENERAL	HAUPTSCHALTER	INTERRUPTOR GENERAL
RB	RESISTENZA BOILER	BOILER HEATING ELEMENT	RESISTANCE SURCHAUFFEUR	BOILERHEIZUNG	RESISTENCIA CALDERIN
RV	RESISTENZA VASCA	TANK HEATING ELEMENT	RESISTANCE CUVE	TANKHEIZUNG	RESISTENCIA CUBA
S1	PULSANTE START CICLO	CYCLE SWITCH	BOUCON DEMARRER	START-TASTE	BOTON DE CICLO
S10	PULSANTE SET TIMER	TIME SETTING BUTTON	BOUCON SET TIMER	SET TIMER BEDIENTKNOPF	BOTON SET TIMER
S2	PULSANTE DEPURAZIONE	REGENERATION CYCLE SWITCH	BOUCON REGENERATION	REGENERATION-TASTE	BOTON DE DEPURACION
S3	PULSANTE SCARICO	DRAIN PUMP SWITCH	BOUCON POMPE DE VIDANGE	ENTLEERUNGSPUMPE-TASTE	BOTON DE DESCARGA



Spülmaschine Deltamat TF641LP
 Artikel-Nr.: 109.633

Schaltplan
 01.08.2013

UU	U1	U2	U3	U4	U5	U6	U7	U8	U9	TU	T1	T2	T3	T4	T5	T6	T7	T8	T9	
SIGLA	ITALIANO				INGLESE				FRANCESE				TEDESCO				SPAGNOLO			
S4	PULSANTE INCREMENTA				BUTTON INCREASE				BOUON AUGMENTE				ERHÖHUNG-TASTE				BOTON DE AUMENTO			
S5	PULSANTE DECREMENTA				BUTTON DECREASE				BOUON DECREASE				VERRINGERUNG-TASTE				BOTON DE DECREMENTO			
S6	PULSANTE RISC. FREDDO				RINSE COLD WATER SWITCH				BOUON DE RINÇAGE FROID				KÄLTESPÜHLUNG-TASTE				BOTON ENLA GUE FRO			
S7	PULSANTE CICLO INFINITO				UNLIMITED CYCLE PUSH BUTTON				BOUON CYCLE SANS ARRÊT				PAUSENLOS ZYKLUS-START-TASTE				BOTON DE CICLO LIMITADO			
S8	PULSANTE PROGRAMMAZIONE				PROGRAMMATION SWITCH				BOUON PROGRAMMATION				PROGRAMMSCHALTER				BOTON DE PROGRAMACION			
S9	PULSANTE INFO				INFO BUTTON				BOUON INFORMATION				INFOKNOPF				BOTON INFORMACION			
SA1	INTERRUTTORE GENERALE				MAIN SWITCH				INTERUPTEUR GENERAL				HAUPTSCHALTER				INTERRUPTORES GENERAL			
SA2	INTERRUTTORE GENERALE-STAND BY				MAIN SWITCH STANDBY				INTERUPTEUR GENERAL STANDBY				STAND-BY HAUPTSCHALTER				INTERRUPTORES GENERAL STAND-BY			
SA3	SELETORE CICLO				PROGRAMMATION SWITCH				BOUON PROGRAMMATION				PROGRAMMSCHALTER				SELECTOR DE CICLO			
SE1	TERMOSTATO DI SICUREZZA BOILER 1				SAFETY THERMOSTAT BOILER 1				THERMOSTAT BOILER DE SECURITE 1				SICHERHEITSTHERMOSTAT DES BOILERS 1				TERMOSTATO DE SEGURIDAD CALDERIN 1			
SE10	TERMOSTATO DI SICUREZZA VASCA 1				SAFETY TANK THERMOSTAT				THERMOSTAT DE SECURITE CUVE				SICHERHEITSTHERMOSTAT DER TANK				TERMOSTATO DE SEGURIDAD TANK 1			
SE1F3	TERMOSTATO DI SICUREZZA BOILER 1 3F				SAFETY THERMOSTAT BOILER 1 3F				THERMOSTAT BOILER DE SECURITE 3F				SICHERHEITSTHERMOSTAT DES BOILERS 1 3F				TERMOSTATO DE SEGURIDAD CALDERIN 1 3F			
SE2	TERMOSTATO DI SICUREZZA VASCA 1				SAFETY THERMOSTAT TANK 1				THERMOSTAT DE SECURITE CUVE 1 3F				SICHERHEITSTHERMOSTAT DER TANK 1				TERMOSTATO DE SEGURIDAD TANK 1			
SF	FLUSSOSTATO				FLUXOSTAT				FLUSSOSTAT				FLUSSMETERSCHERTE				FLUJO			
SL	SENSORE LIVELLO VASCA				LEVEL TANK SENSOR				PRESSOSTAT CUVE				TANKNIVEAUSENSOR				SENSOR DE NIVEL CUBA			
SL1	SENSORE LIVELLO BOILER				PRESSURE SWITCH BOILER				PRESSOSTAT BOILER				BOILERNIVEAUSENSOR				SENSOR DE NIVEL CALDERIN			
SL2	SENSORE LIVELLO BREAK TANK				BREAK TANK LEVEL SENSOR				CAPTEUR DE NIVEAU BREAK TANK				NIVEAUSENSOR FÜR BREAK TANK				SENSOR DE NIVEL BREAK TANK			
SL3	SENSORE LIVELLO SICUREZZA				SECURITY LEVEL SENSOR				CAPTEUR DE NIVEAU DE SECURITE				SICHERHEITSNIVEAUSENSOR				SENSOR DE NIVEL SEGURIDAD			
SL4	SENSORE LIVELLO DETERGIVO				LEVEL DETERGENT SENSOR				CAPTEUR DE NIVEAU PRODUIT LAVAGE				NIVEAUSENSOR FÜR WASCHMITTEL				SENSOR DE NIVEL DOSIFICADOR DE JABON			
SL5	SENSORE LIVELLO BRILLANTANTE				LEVEL RINSE SENSOR				CAPTEUR DE NIVEAU PRODUIT RINÇAGE				NIVEAUSENSOR FÜR SPÜLMITTEL				SENSOR DE NIVEL DOSIFICADOR DE ABRILANTADOR			
SL6	SENSORE LIVELLO SALE				SALT LEVEL				CAPTEUR DE NIVEAU DU SEL				NIVEAUSENSOR FÜR SALZ				SENSOR DE NIVEL SAL			
SL7	SENSORE LIVELLO TANK LIFT				LEVEL LIFT TANK SENSOR				CAPTEUR DE NIVEAU TANK LIFT				NIVEAUSENSOR FÜR LIFT TANK				SENSOR DE NIVEL LIFT TANK			
SL8	SENSORE LIVELLO BREAK TANK				LEVEL BREAK TANK SENSOR				CAPTEUR DE NIVEAU BREAK TANK				NIVEAUSENSOR FÜR BREAK TANK				SENSOR DE NIVEL BREAK TANK			
SL9	SENSORE LIVELLO SANITIZZANTE				SANITIZER LEVEL SENSOR				CAPTEUR NIVEAU ASSAINISSEMENT				NIVEAUSENSOR SANITISATIONSMITTEL				SENSOR DE NIVEL SANEAMIENTO			
SP1	SENSORE PRESSIONE RETE				NETWORK PRESSURE SENSOR				CAPTEUR PRESSION HYDRAULIQUE				WASSERDRUCKSENSOR				SENSOR PRESSION HIDRÁULICA			
SP2	SENSORE PRESSIONE POMPA M1				PRESSURE SENSOR PUMP M1				CAPTEUR PRESSION POMPE M1				DRUCKSCHALTER PUMPE M1				SENSOR PRESSION BOMBA M1			
SP3	SENSORE PRESSIONE POMPA M1A				PRESSURE SENSOR PUMP M1 A				CAPTEUR PRESSION POMPE M1A				DRUCKSCHALTER PUMPE M1 A				SENSOR PRESSION BOMBA M1A			
SP4	SENSORE PRESSIONE POMPA M2				PRESSURE SENSOR PUMP M2				CAPTEUR PRESSION POMPE M2				DRUCKSCHALTER PUMPE M2				SENSOR PRESSION BOMBA M2			
SP5	SENSORE PRESSIONE POMPA M2A				PRESSURE SENSOR PUMP M2 A				CAPTEUR PRESSION POMPE M2A				DRUCKSCHALTER PUMPE M2 A				SENSOR PRESSION BOMBA M2A			
SPV	SENSORE VACUOSTATO				VACUUM SWITCH SENSOR				CAPTEUR VACUOSTAT				VAKUUMMETER SENSOR				SENSOR VACUOSTATO			
SQ1 A-B-C	SENSORE FINECORSA PORTA				DOOR SAFETY SWITCH				CAPTEUR MICRO SECURITE PORTE				TUR-KONTAKT				SENSOR FINAL DE CARRERA PUERTA			
SQ2	SENSORE FILTRO				FILTER SWITCH				CAPTEUR FILTRE				FILTER-SENSOR				SENSOR FILTRO			
SRI-1-8	SENSORE ROTATIVO 1-8				SENSOR ROTARY 1-8				CAPTEUR ROTATIF 1-8				SENSOR ROTARY 1-8				SENSOR DE ROTARY 1-8			
ST1	TERMOSTATO BOILER 1				BOILER THERMOSTAT				THERMOSTAT SURCHAUFFEUR				BOILER THERMOSTAT 1				TERMOSTATO CALDERIN 1			
ST10	TERMOSTATO VASCA 1				TANK THERMOSTAT				THERMOSTAT CUVE				TANK THERMOSTAT 1				TERMOSTATO CUBA 1			
TA1	TRASFORMATORE				TRANSFORMER				TRANSFORMATEUR				TRANSFORMATOR				TRANSFORMADOR			
UV	LAMPADA UV				LAMP UV				LAMP UV				UV-LAMPE				LAMPARA UV			
Y1	ELETTROVALVOLA RIMPIEMTO VASCA				LOAD SOLENOID VALVE				ELECTROVANNE CHARGEMENT CUVE				MAGNETVENTIL FÜR TANKFÜLLUNG				ELECTROVALVULA CARGA CUBA			
Y2	ELETTROVALVOLA SALAMOA				REGENERATION SOLENOID VALVE				ELECTROVANNE REGENERATION				MAGNETVENTIL FÜR REGENERATION				ELECTROVALVULA REGENERACION			
Y3	ELETTROVALVOLA SCARICO SALAMOIA				DRAIN SOLENOID VALVE				ELECTROVANNE VIDANGE				ENTLEERUNGS-MAGNETVENTIL				ELECTROVALVULA DESCARGUE REGENERACION			
Y4	ELETTROVALVOLA RISC. FREDDO				RINSE COLD WATER SOLENOID VALVE				ELECTROVANNE RINÇAGE FROID				KÄLTWASSERSPÜLUNG-MAGNETVENTIL				ELECTROVALVULA ENLA GUE FRO			
Y6	ELETTROVALVOLA RIMPIEMTO BOILER				LOAD BOILER SOLENOID VALVE				ELECTROVANNE CHARGEMENT SURCHAUFFEUR				MAGNETVENTIL FÜR BOILERFÜLLUNG				ELECTROVALVULA CARGA CALDERIN			
Y6	ELETTROVALVOLA LAVAGGIO CONDENSATORE				CONDENSER CLEANING SOLENOID VALVE				ELECTROVANNE NETTOYAGE CONDENSEUR				MAGNETVENTIL KONDENSATORREINIGUNG				ELECTROVALVULA LIMPIAR CONDENSADOR			
Y7	ELETTROVALVOLA LIFT				SOLENOID VALVE LIFT				ELECTROVANNE LIFT				LIFT MAGNETVENTIL				ELECTROVALVULA LIFT			
Y8	ELETTROVALVOLA BREAK TANK				SOLENOID VALVE BREAK TANK				ELECTROVANNE BREAK TANK				BREAK TANK MAGNETVENTIL				ELECTROVALVULA BREAK TANK			
Y9	ELETTROVALVOLA CONDENSAZIONE				MAIN SOLENOID VALVE				ELECTROVANNE CONDENSATION				HAUPTMAGNETVENTIL				SOLENOIDE DE CONDENSACION			
YG	ELETTROVALVOLA GENERALE				MAIN SOLENOID VALVE				ELECTROVANNE GENERALE				HAUPTMAGNETVENTIL				SOLENOIDE GENERAL			
YM	ELETTROVALVOLA MOTORIZZATA GRANULI				MOTORIZED GRANULES SOLENOID VALVE				ELECTROVANNE MOTORISSE GRANULES				MOTORISIERTES MAGNETVENTIL FÜR GRANULAT				ELECTROVALVULA MOTORIZADA PARA GRANULADO			
YVB	ELETTROVALVOLA VAPORE BOILER				STEAM BOILER SOLENOID VALVE				ELECTROVANNE VAPEUR SURCHAUFFEUR				DAMPFMAGNETVENTIL BOILER				ELECTROVALVULA VAPOR CALDERIN			
YVT	ELETTROVALVOLA VAPORE VASCA				STEAM TANK SOLENOID VALVE				ELECTROVANNE VAPEUR CUVE				DAMPFMAGNETVENTIL TANK				ELECTROVALVULA VAPOR CUBA			

