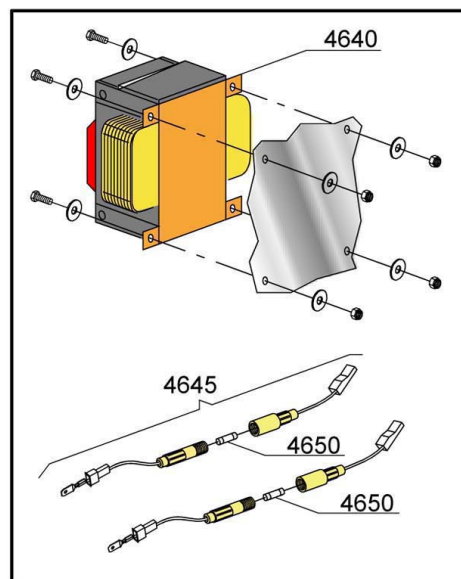
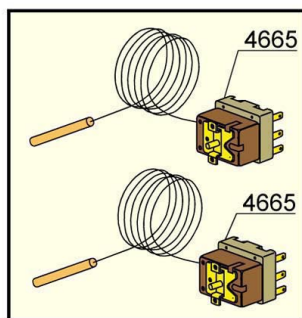
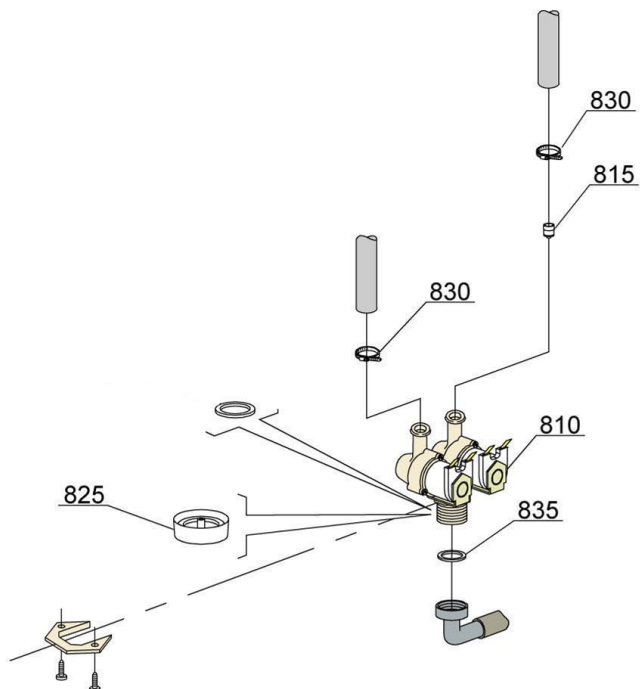
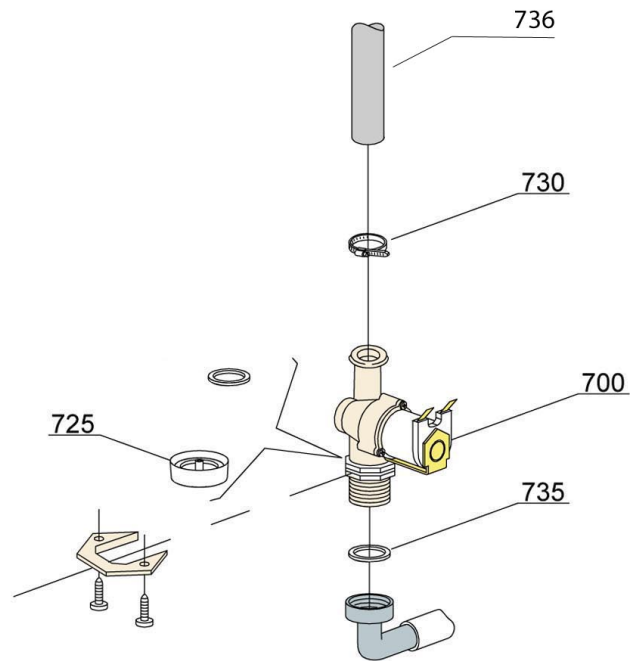
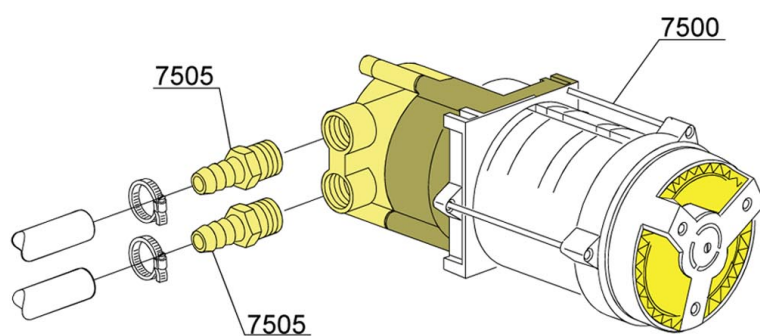
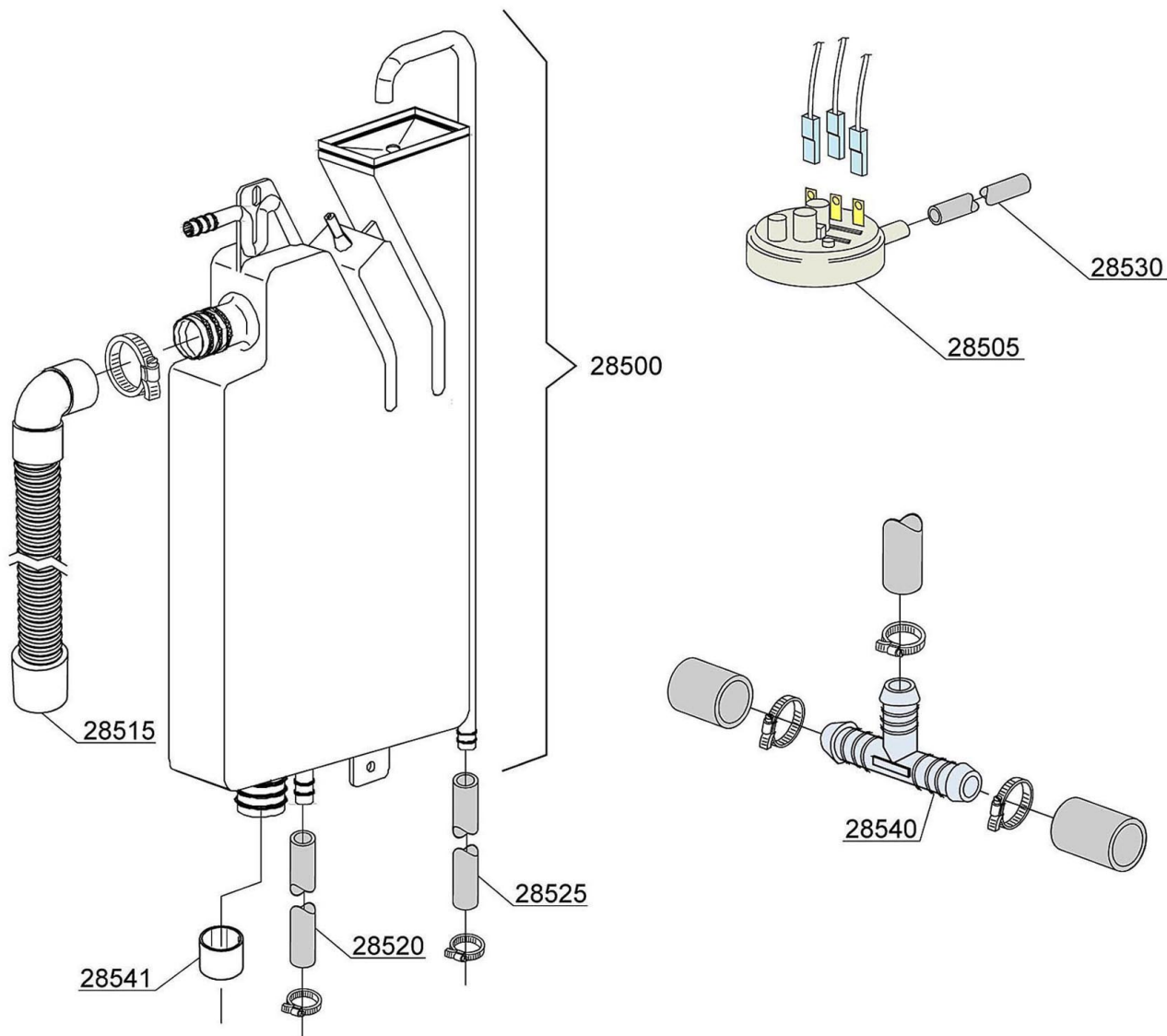


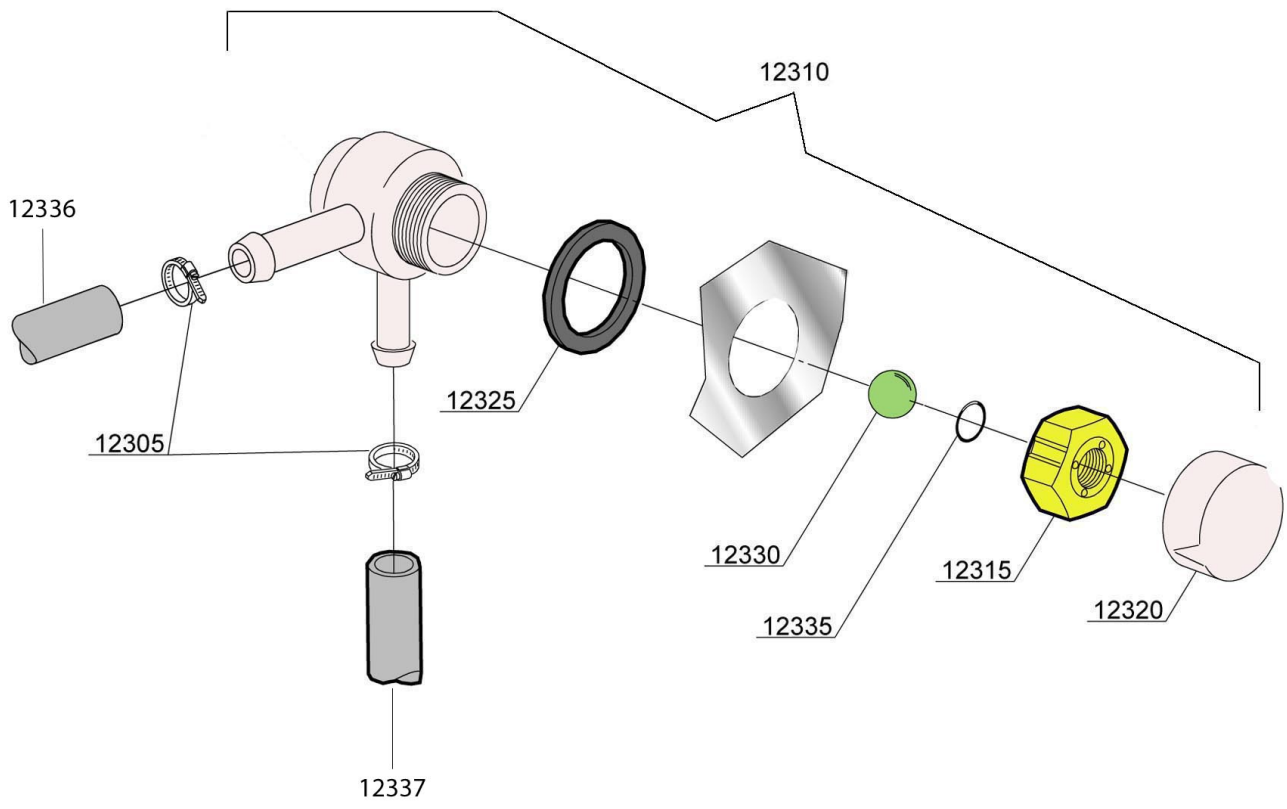
4670

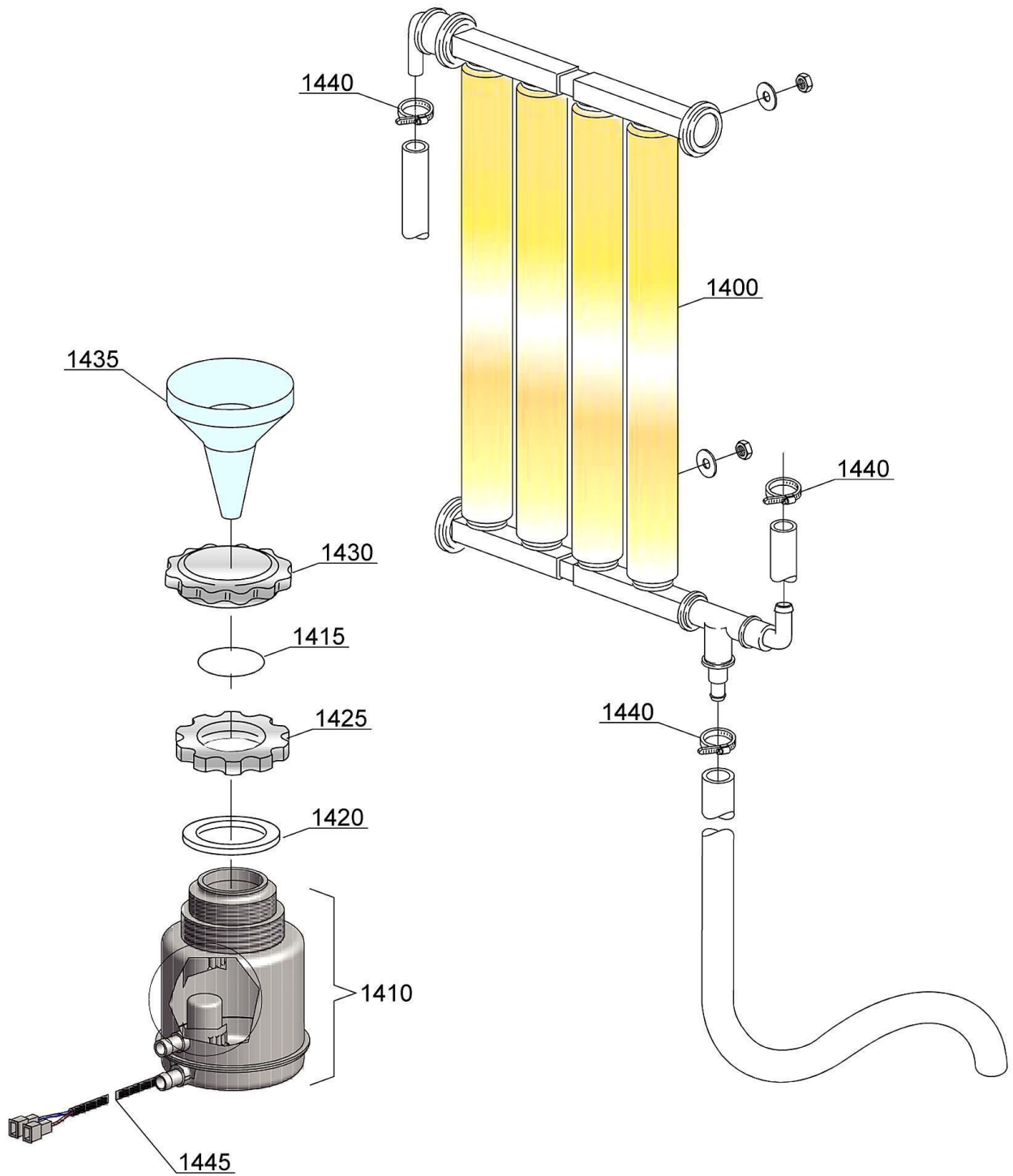


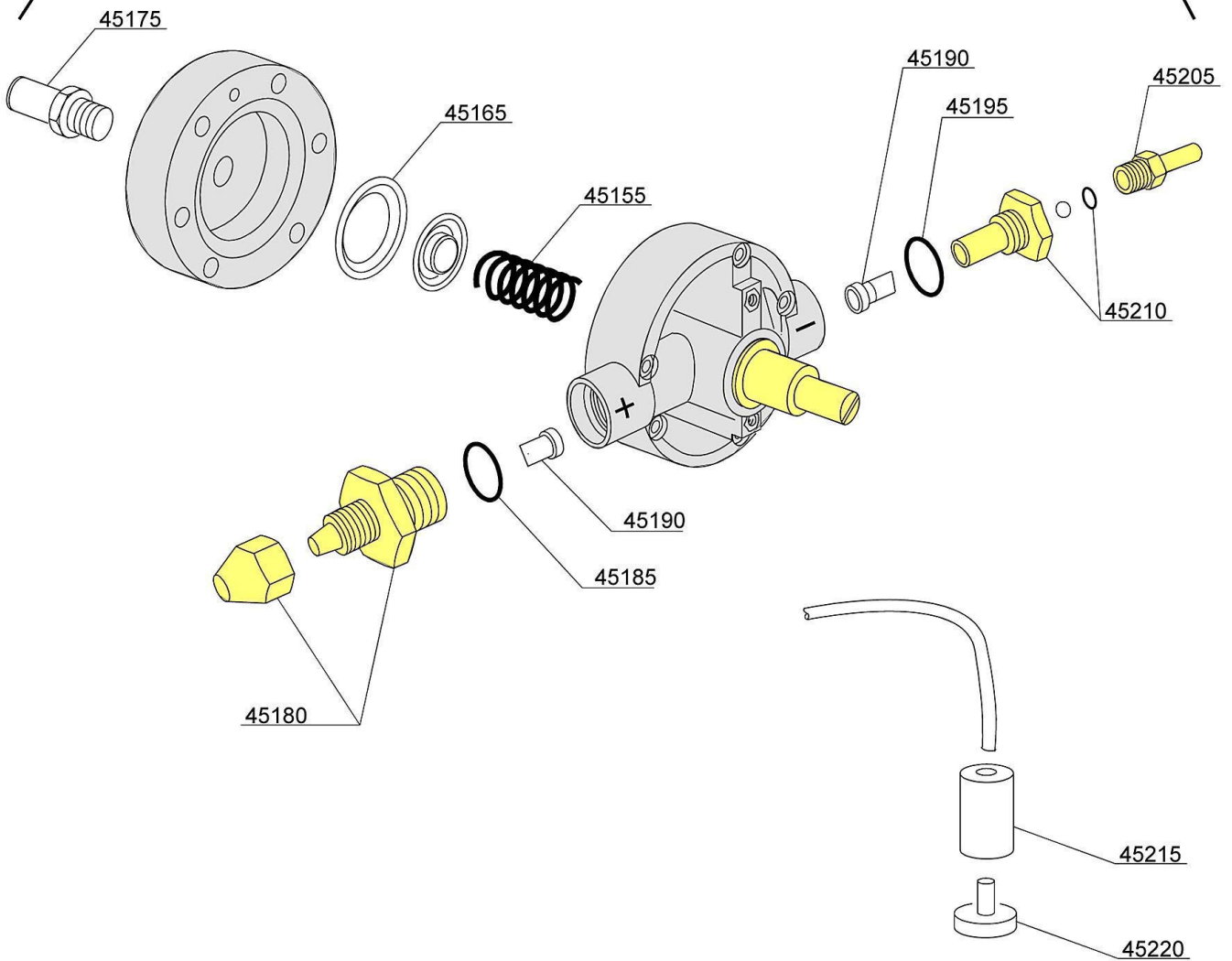
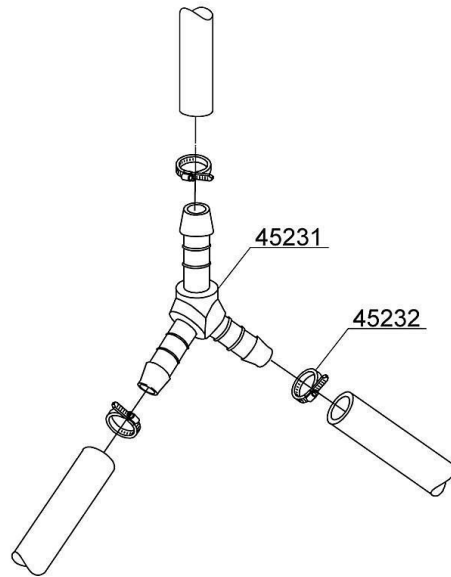
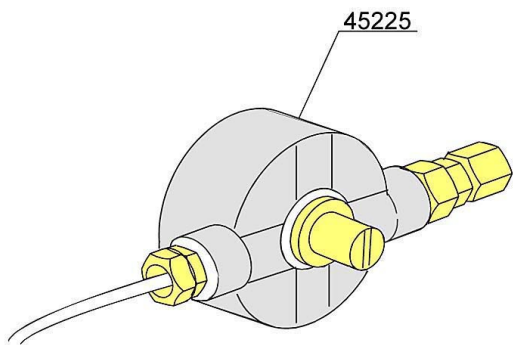


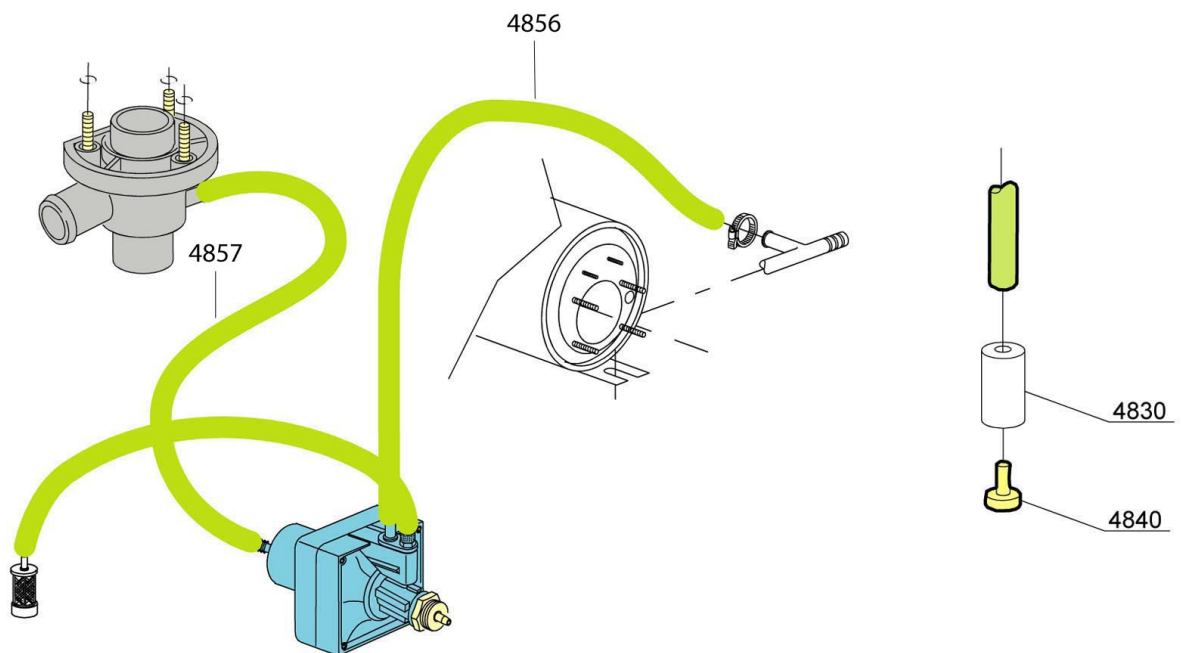
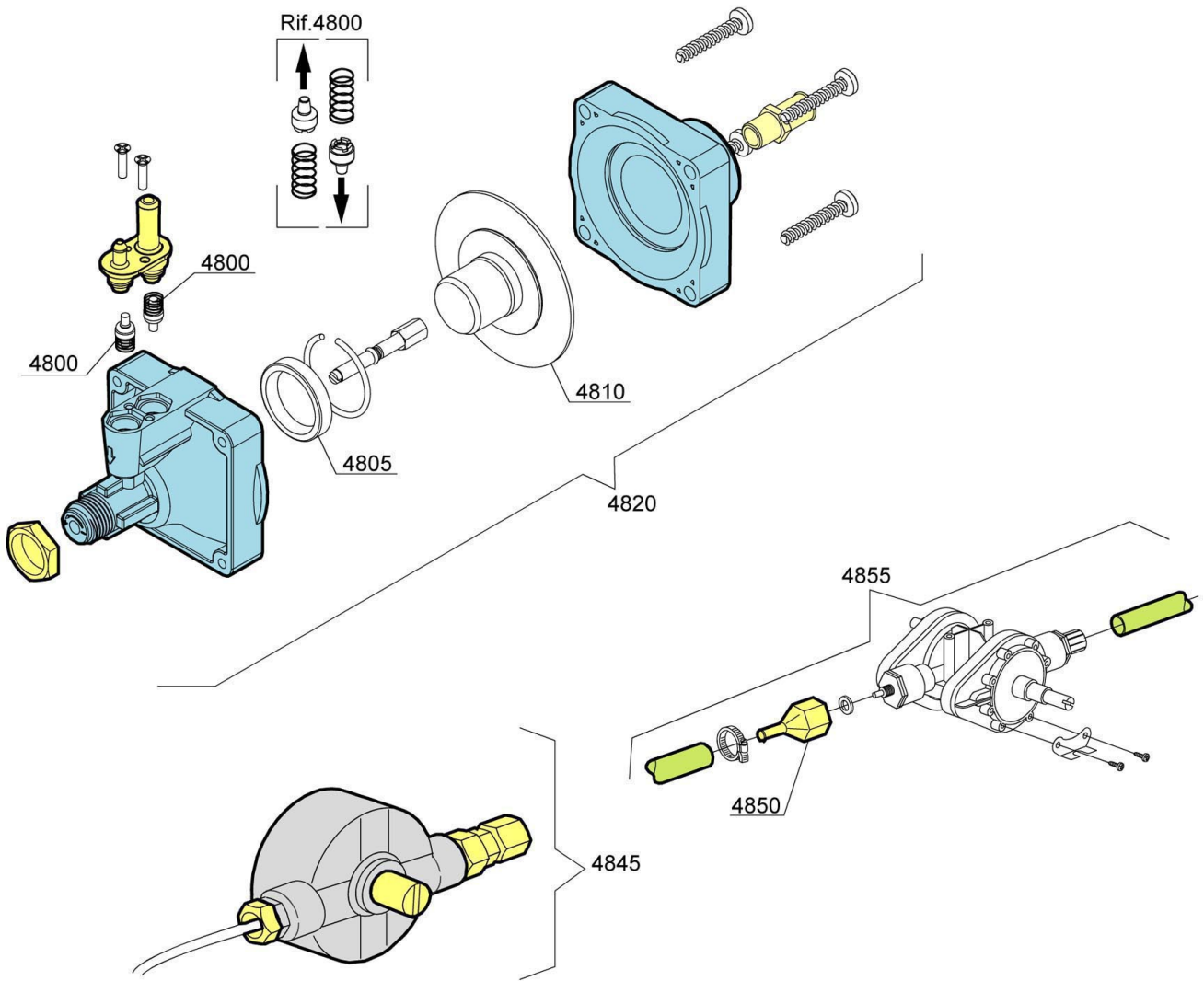


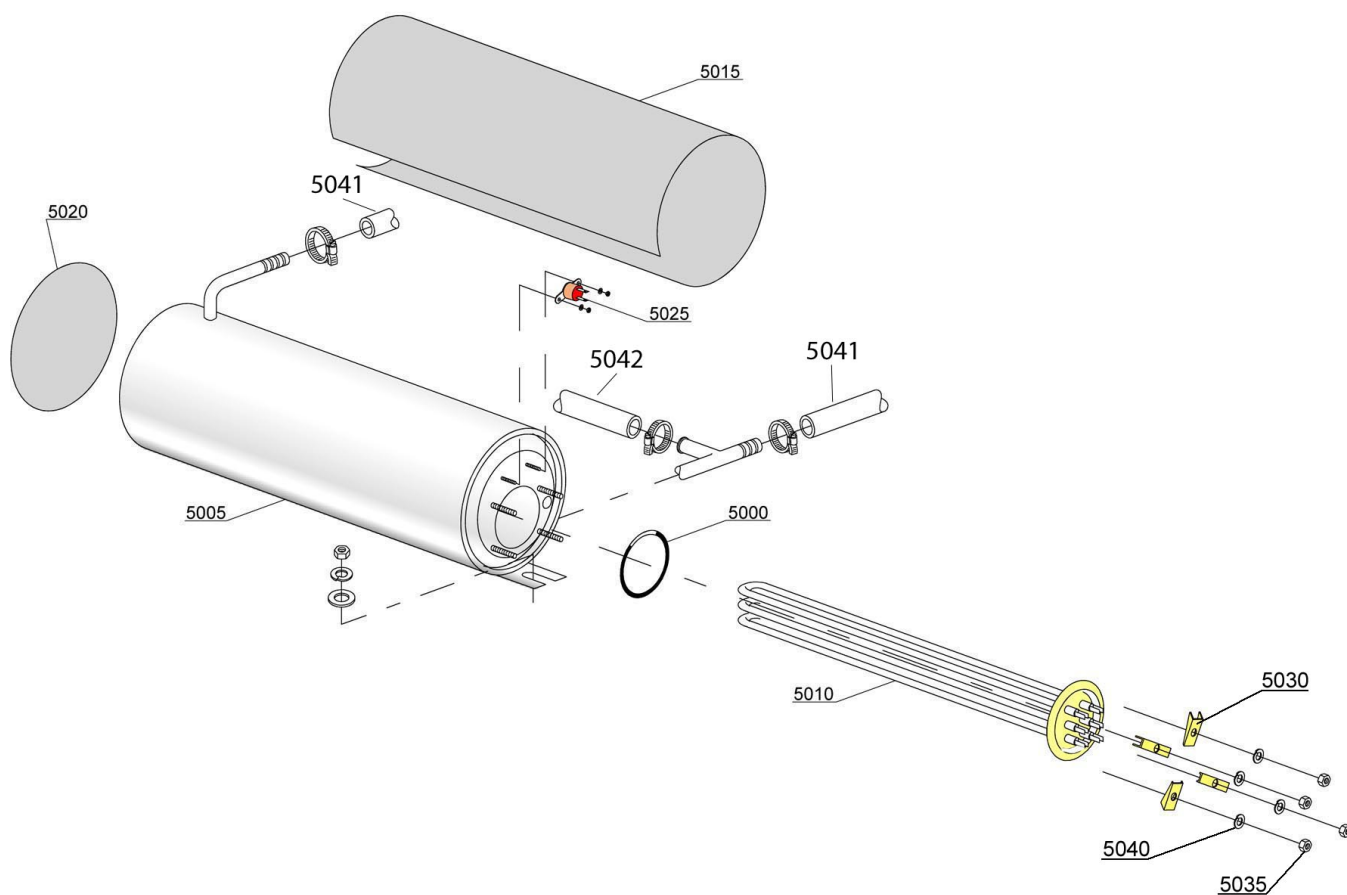
VERSIONE STANDARD / VERSIONE POMPA AUM. PRESSIONE
 STANDARD VERSION / BOOSTER PUMP VERSION
 VERSION STANDARD / VERSION POMPE AUGMENT. PRESSION

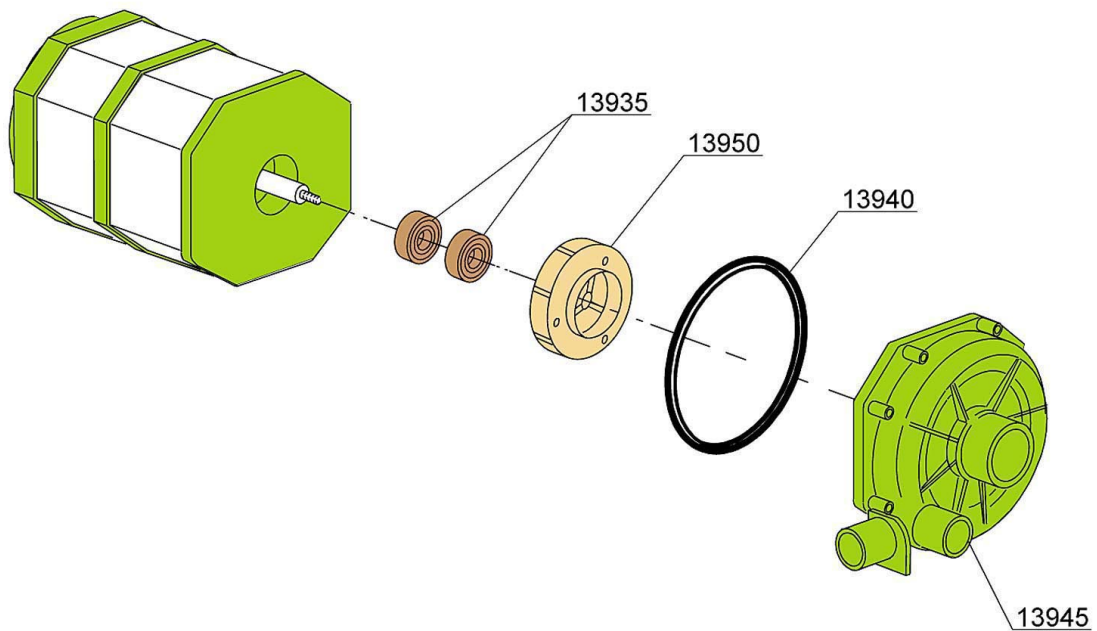
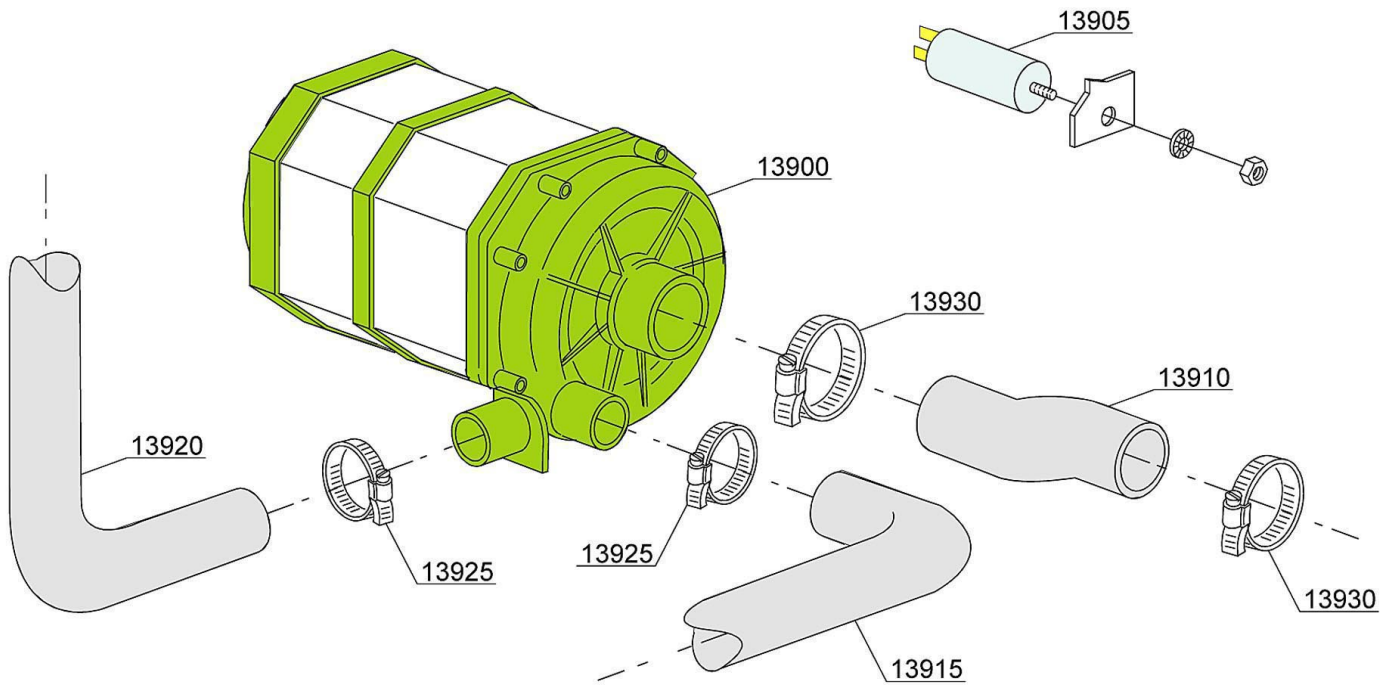


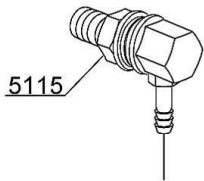




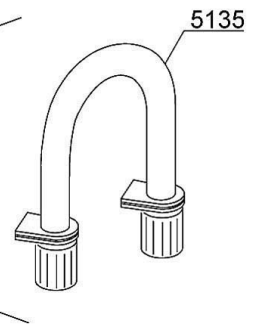
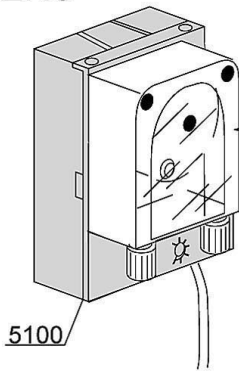




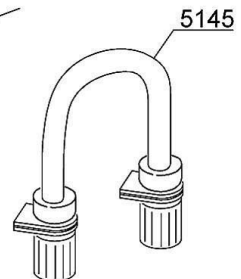
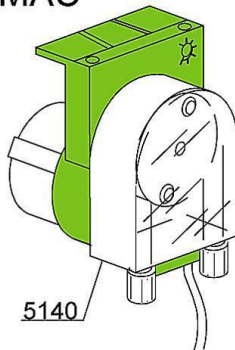




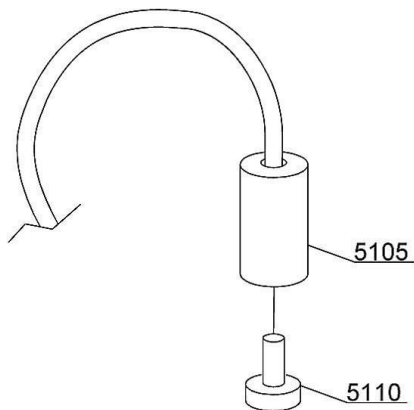
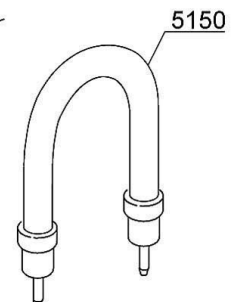
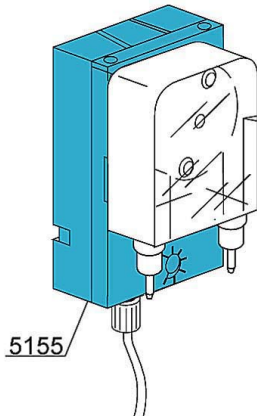
SEKO



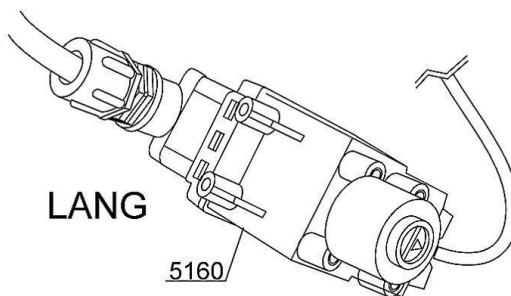
GERMAC

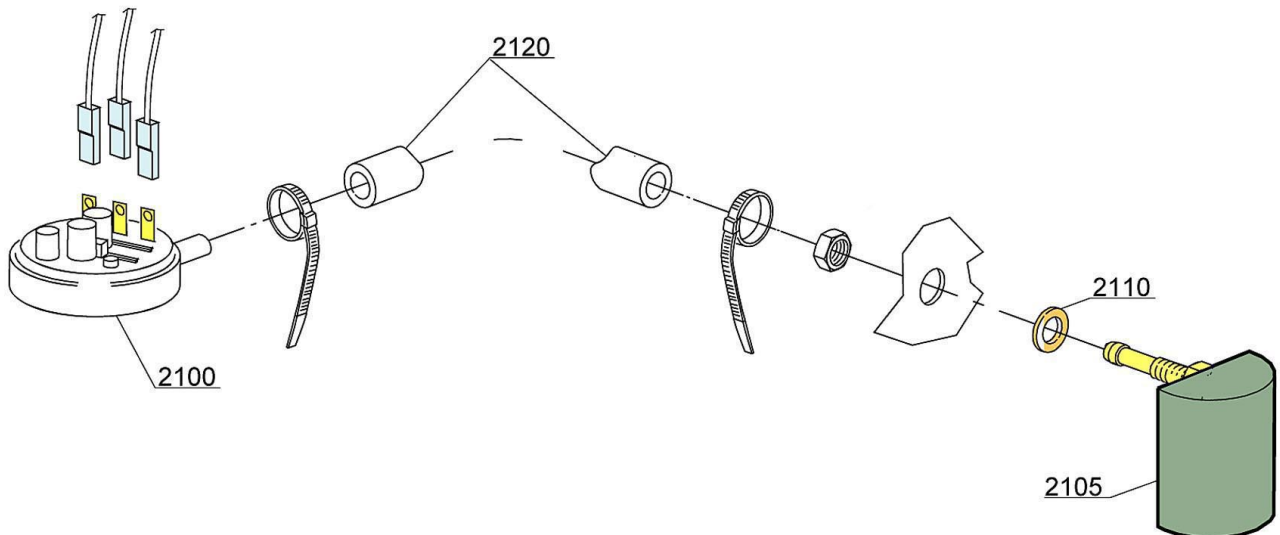
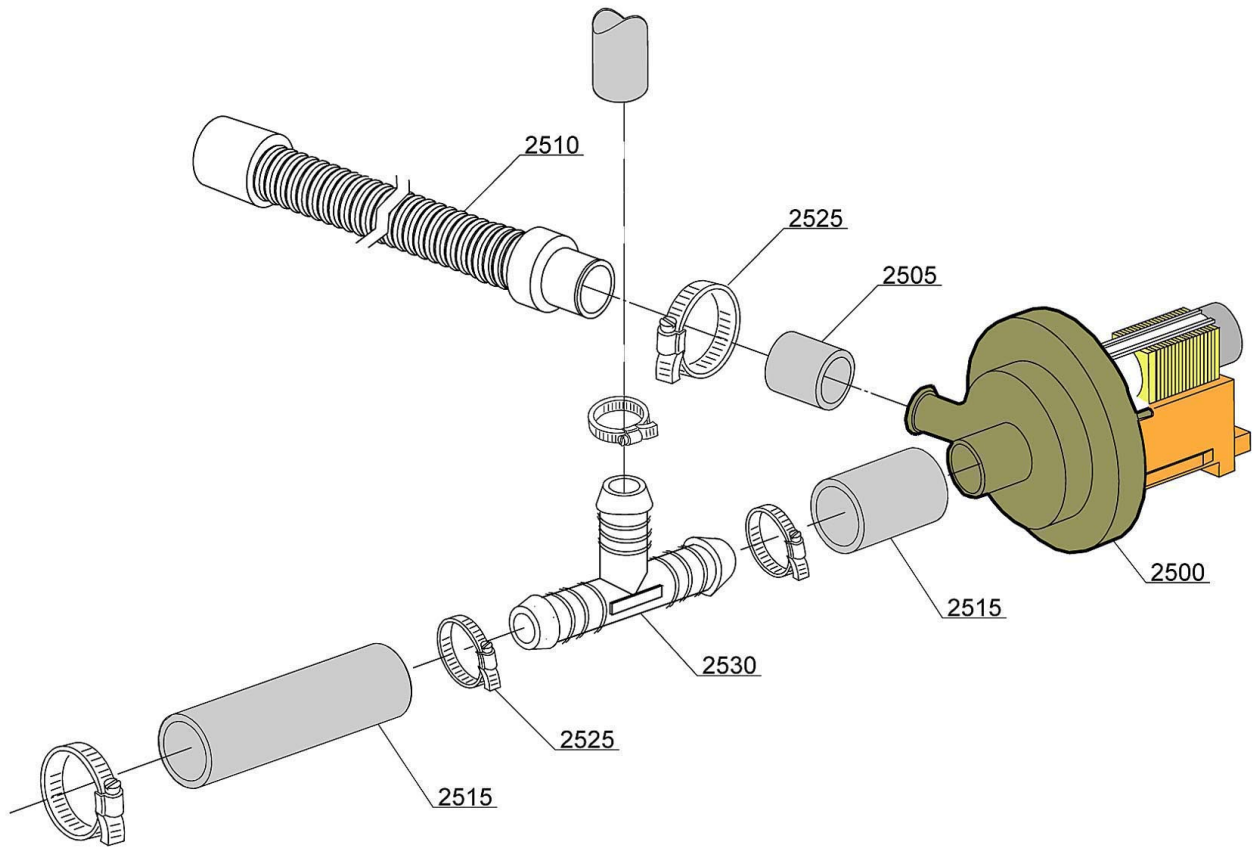


PLASS CONT



LANG





Pos.	Artikelbeschreibung	Description of item	Artikel Nr./Item No.
2500	Laugenpumpe 220/240 V, 50 Hz	Drain pump 220/240 V, 50 Hz	015101
2505	Druckschlauch	Pressure hose	015101D
2510	Schlauch	Pipe	010727
2515	Ansaugschlauch D 28 mm	Suction hose D 28 mm	0180440
2525	Schelle 25/40	Clamp 25/40	011806
2530	Verbindungsstück, 3-Wege	3-way connection	0540098
2100	Pressostat, 47 - 27	Pressure switch, 47 - 27	E010706A
2105	Luftfalle	Air trap assembly	0135911D
2110	O-Ring, D 14 x 8 x 1,5 mm	O-ring, D 14 x 8 x 1,5 mm	013301
2120	Schlauch, Gummi, 4,5 x 9 EPDM	Hose, rubber, 4,5 x 9 EPDM	014508

